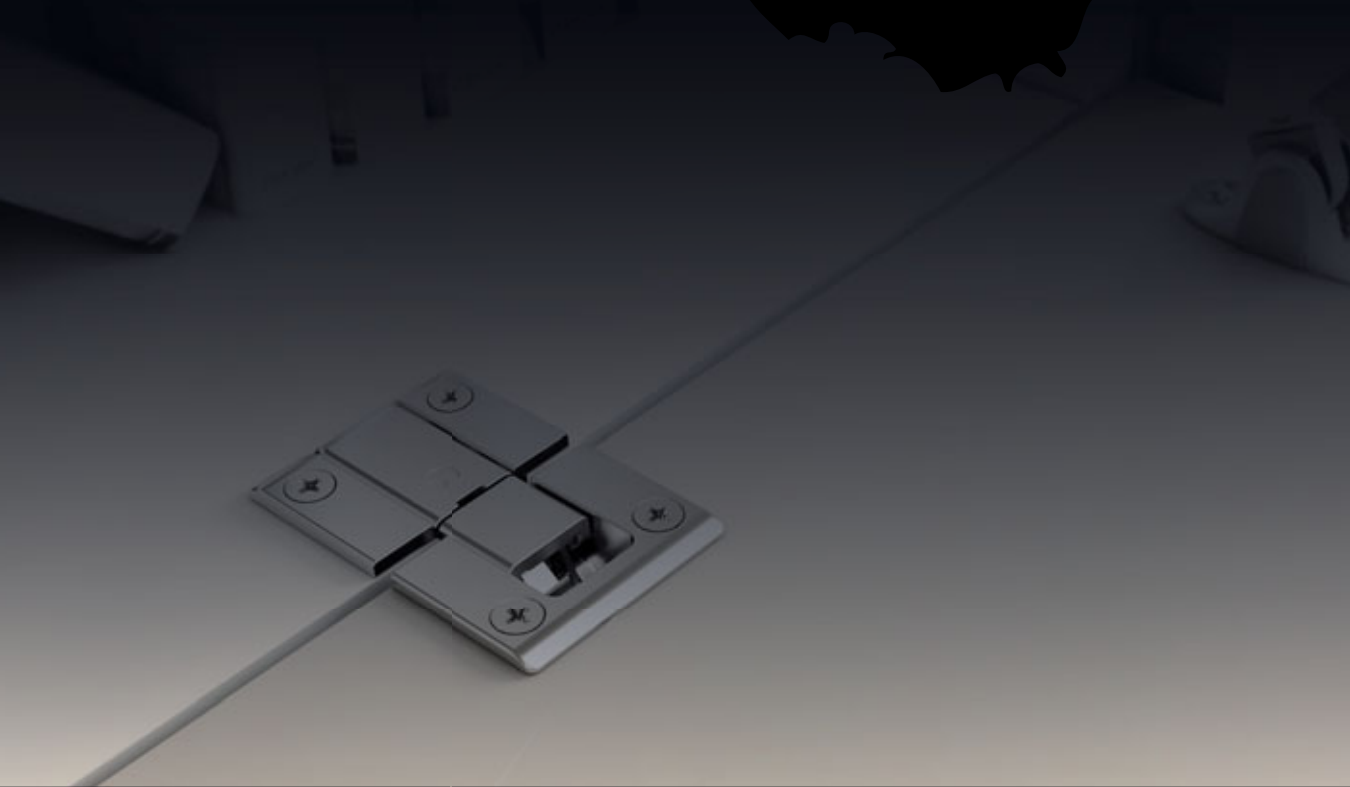
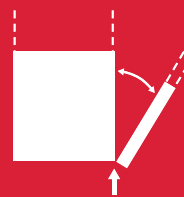


 **ITALIANA**[®]
ferramenta



Kimana

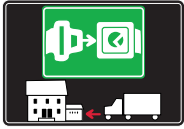


HINGES



SYMBOLS AND FINISHES LEGEND

SYMBOLS



= SHELF SAFELY LOCKED DURING TRANSPORTATION AND AT HOME.



= ANTI-TURNOVER LOCKING SYSTEM



= NORMS / PATENTS



= PHILLIPS / POZIDRIV



= WITH BUFFER



= PART NO.



= BLADE SLOT



= WITH MAGNET



= PCS. PER PACKAGE



= COMBI SLOT



= HEXAGONAL SOCKET



= NEWTON



= CAPACITY LOADING



= HEXALOBULAR SOCKET



= FRICTION



= WOOD / GLASS THICKNESS



= COUNTERSUNK HEAD



= AUTOMATIC



= HOLE DIAMETER



= PAN HEAD



= DROP DOWN



= DIAMETER



= FLANGE HEAD



= LENGTH



= FLAT HEAD



= STANDARD HINGE



= HEIGHT



= TRILOBULAR SCREW



= KIMANA HINGE



= RIGHT VERSION



= SELF-TAPPING SCREW



= FLAP HINGE



= LEFT VERSION



= EURO THREAD



= WITH SPRING



= SETTING CODE



= METRIC THREAD



= WITHOUT SPRING



= PCS. PER PAD



= PRE-INSERTED SCREW



= REVERSED SPRING



= CUT ON REQUEST



= PRE-INSERTED SCREW AND SPREADING BUSH



= SELF ADHESIVE



= WITH FLANGE

NOTE: Printing errors and omissions may exist despite our best efforts to ensure accuracy. We reserve the right to alter specifications without notice.

MATERIALS

ZA = Zinc Alloy

ST = Steel

HSS = High Speed Steel

BR = Brass

ABS = Acrylonitrile Butadiene Styrene

ZAnk = Nickel-plated Zinc Alloy

STzk = Zinc-plated Steel

AL = Aluminium

WD = Wood

EVA = Ethylene Vinyl Acetate

EP = **ENGINEERING PLASTIC**

+ **EP** = other engineering plastic available on request

SR = **SOFT RUBBER**

+ **SR** = other soft rubber available on request

EPn = Natural Engineering Plastic

EPc = Clear Engineering Plastic

SRn = Natural Soft Rubber

EPw = White Engineering Plastic

EPg = Grey Engineering Plastic

SRw = White Soft Rubber

EPwg = Water Green Engineering Plastic

SRb = Black Soft Rubber



FINISHES



= OTHER FINISHES AVAILABLE ON REQUEST

PART NO.	FINISHES	PART NO.	FINISHES	PART NO.	FINISHES
00	Insignificant finish	IF	Middle Grey	UT	T-Met 9007
AA	Natural	IJ	Light Grey	UZ	T-Met
AB	White	IL	Grey 20	WA	Bronzed
AE	White 9010	IN	Grey met. 26	WI	Burnished
EA	Black	JB	Bright Aluminium	XD	Satin-finished Steel
EC	Matt Black	JC	Aluminium - Chrome	YA	Nickel-plated
EE	Anthracite	JD	Matt Aluminium	YB	Bright Nickel-plated
EW	Grey 9007	JE	Satin-finished Aluminium	YC	Matt Nickel-plated
FU	Gunmetal	JF	Aluminium - Brass	YD	Satin-finished Nickel-plated
FV	Gunmetal V52	JG	Aluminium 5	YQ	Black Nickel
GR	Raw	JL	Aluminium PE 11	Z9	Black Zinc
HA	Brass-Plated	JM	Aluminium RAL 9006	ZA	Zinc alloy
HH	Tropicalized	KA	Chrome	ZN	Zinc-plated
HL	Raw Brass	KB	Bright Chrome	ZQ	Bright Gold
HX	Graphite	KC	Matt Chrome	ZY	Titanium
IA	Grey	NN	Metallic Beige	ZZ	Clear
IB	Metallic Grey	RO	Red		



KIMANA

KIMANA is a flat hinge to open and close flap and drop-down doors. Provided with a unique and exclusive movement, it allows to open cabinet doors in column, even when the cabinet bottom lies upon another panel or the cabinet top is surmounted by a decorative/lighting panel.

The small dimensions (Ø 26mm boring for both the door and the bottom), the minimalistic and elegant design contribute to make KIMANA not only a functional hinge, but also a product unique in its genre.

The fixing screws are perpendicular, thus making KIMANA suitable for perfect positioning, as well as for aluminium profiles. KIMANA can be easily adjusted through the screws (PZ2) which are hidden underneath the cover.

Various door and cabinet thickness-combinations can be solutioned either by carrying out the adjustments of the KIMANA or by adding adapters under the hinge clip so that the ideal movement and alignment of the door are guaranteed.

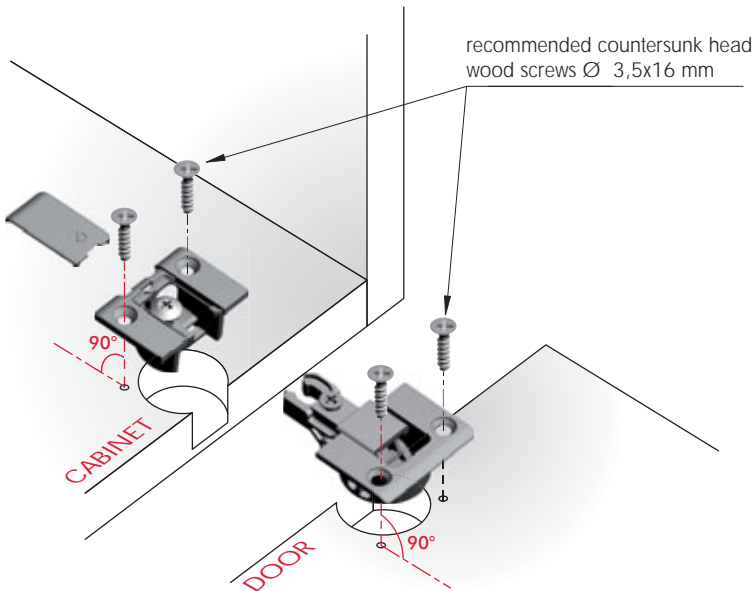
Available in three finishes: standard nickel-plated, black-nickel plated and varnished in graphite colour. For each finish, matching fixing countersunk screws can be provided.



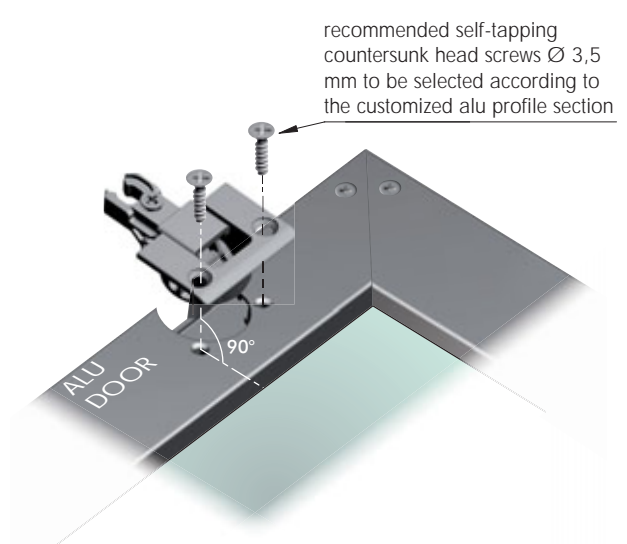
GOOD DESIGN AWARD, 2012

PAT. PENDING
REGISTERED DESIGN
indications available on request.

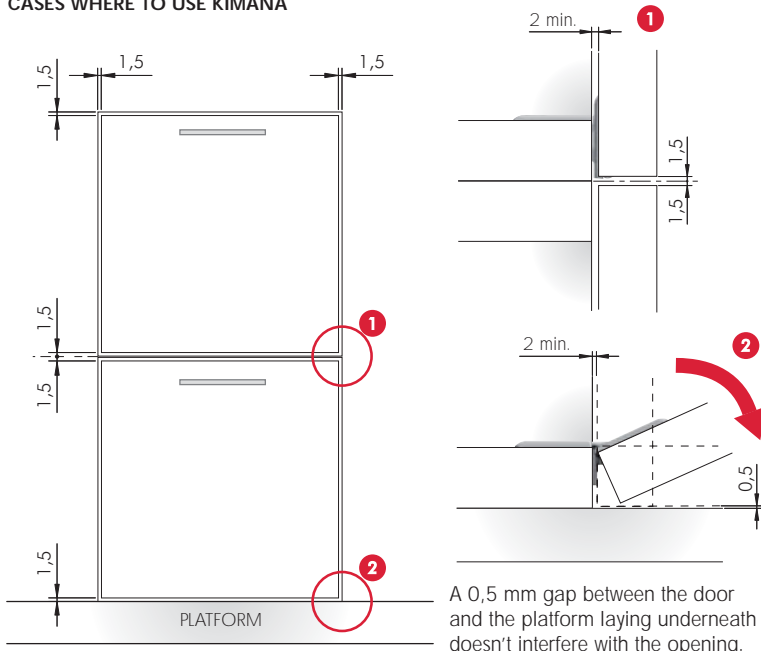
INSTALLATION ON UNIT WITH SOLID DOOR (Application shown for minimum thickness 18 mm)



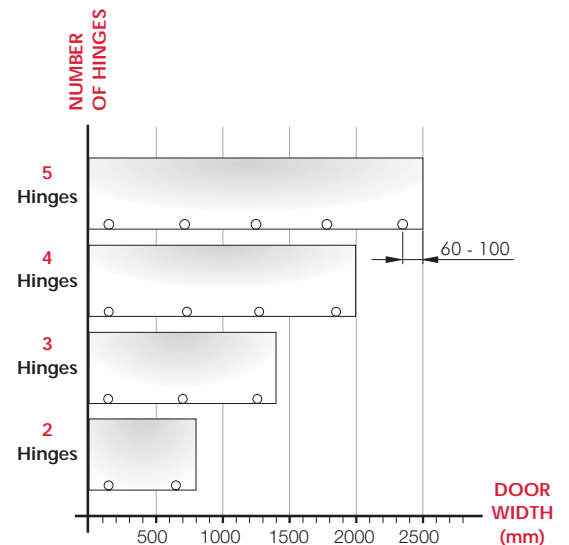
INSTALLATION ON UNIT WITH ALUMINIUM DOOR (Application shown for minimum thickness 18 mm)



CASES WHERE TO USE KIMANA



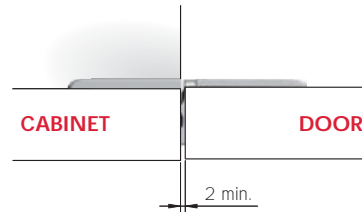
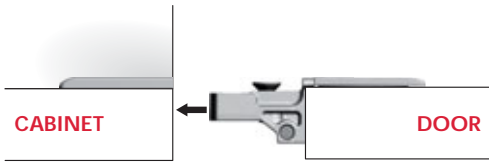
RECOMMENDED NUMBER OF KIMANA PER DOOR



Due to various factors, the quantities stated in the chart are indicative.

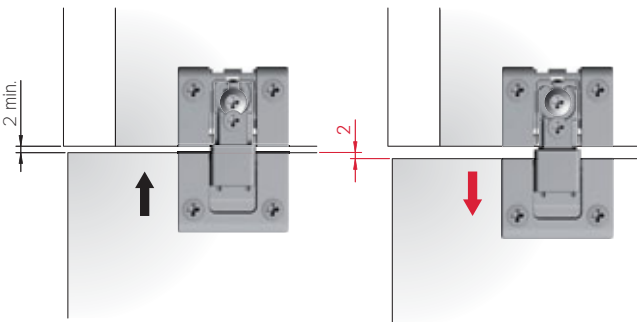


DOOR INSTALLATION



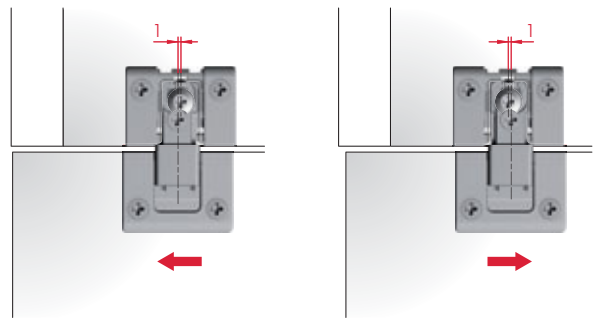
IN-DEPTH ADJUSTMENT 0+2 mm

⚠ TO BE MADE BEFORE LOCKING SCREW OPERATION ⚠



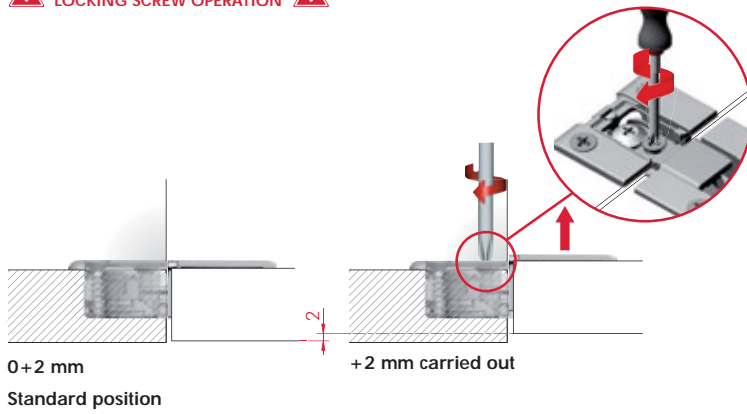
LATERAL ADJUSTMENT 0±1 mm

⚠ TO BE MADE BEFORE LOCKING SCREW OPERATION ⚠

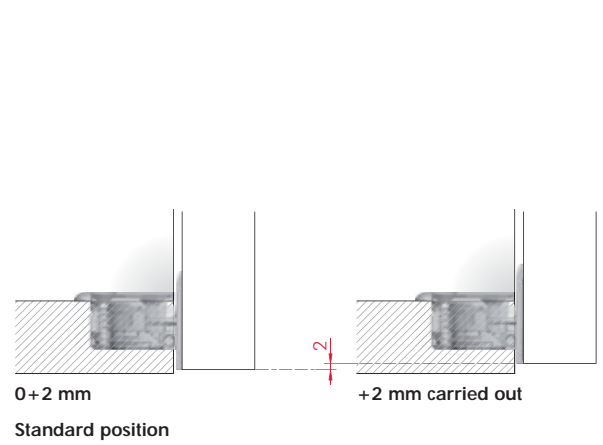


VERTICAL ADJUSTMENT 0+2 mm - DOOR OPEN

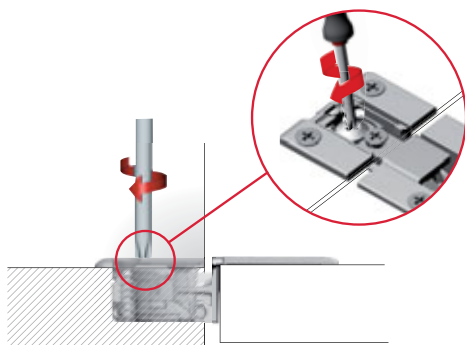
⚠ TO BE MADE BEFORE LOCKING SCREW OPERATION ⚠



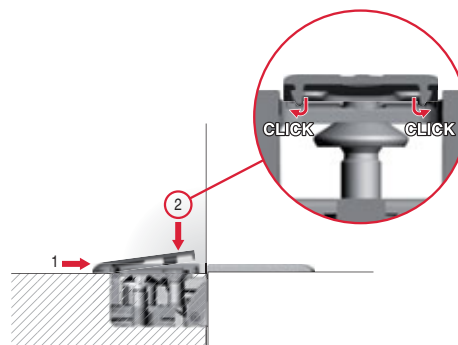
VERTICAL ADJUSTMENT 0+2 mm - DOOR CLOSED



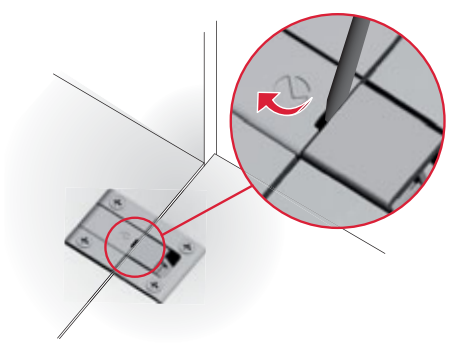
LOCKING SCREW

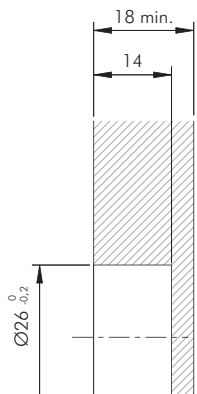


COVER CAP INSERTION

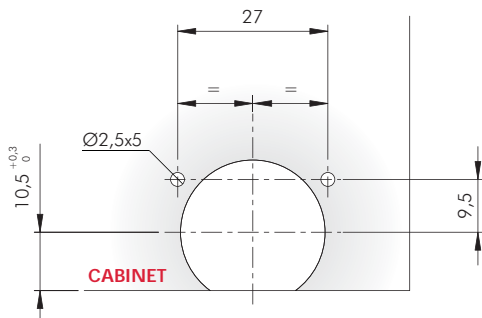


COVER CAP REMOVAL

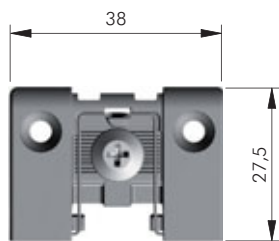




NOTE: For panel thickness lower than 18 mm, refer to "KIMANA ADAPTERS".

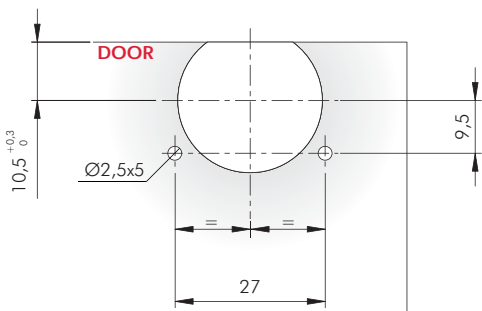
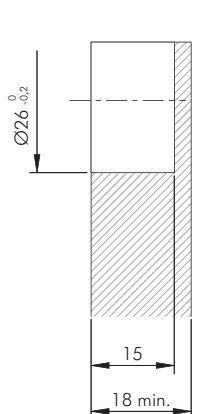
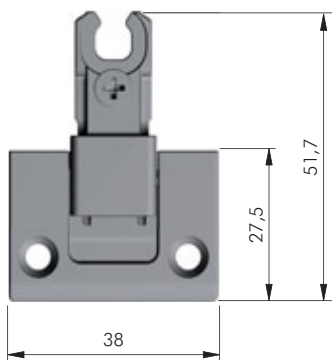


CABINET



= 150 pcs.

40120000YA
40120000HX
40120000YQ

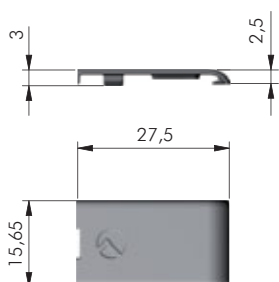


DOOR

NOTE: For panel thickness lower than 18 mm, refer to "KIMANA ADAPTERS".

= 150 pcs.

40120010YA
40120010HX
40120010YQ

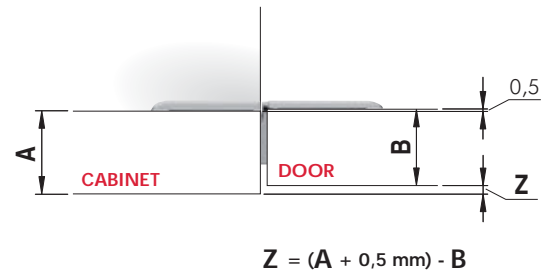
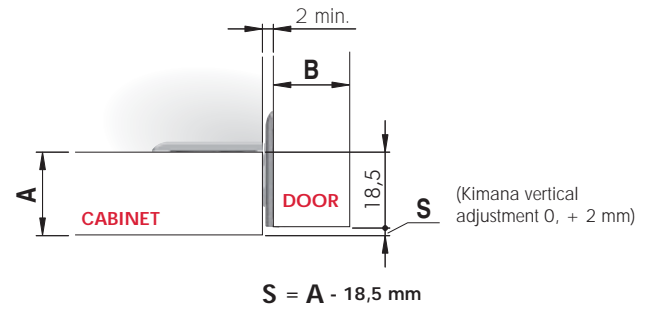
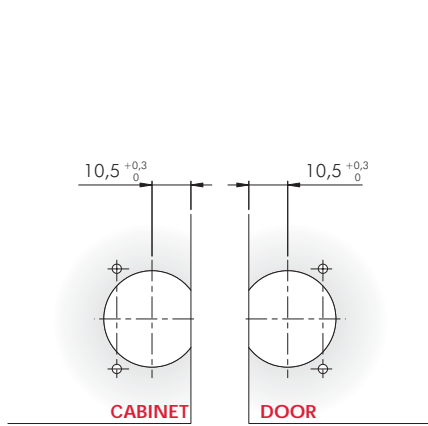


= 150 pcs.

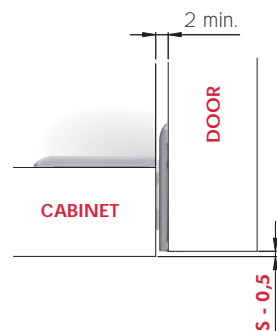
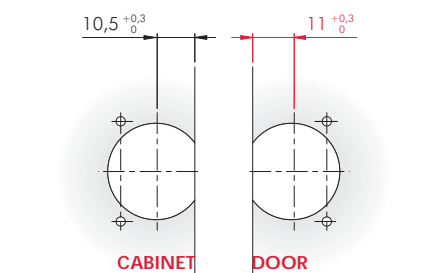
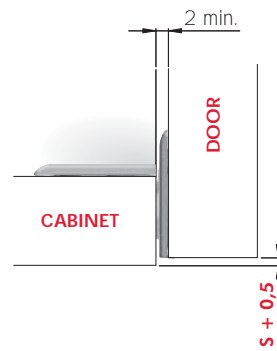
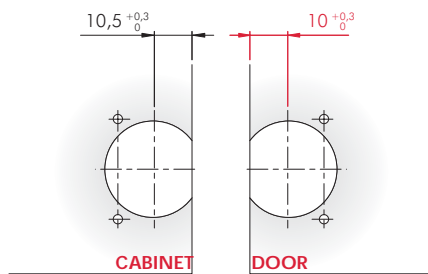
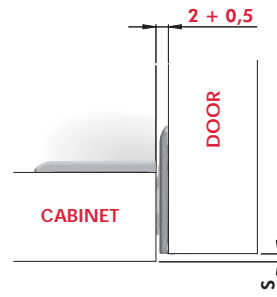
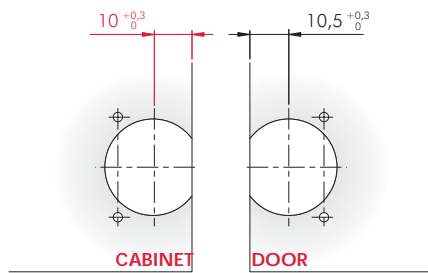
40120040YA
40120040HX
40120040YQ



STANDARD CONDITION



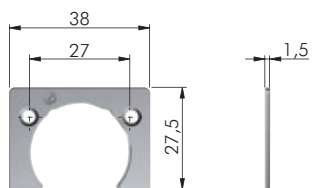
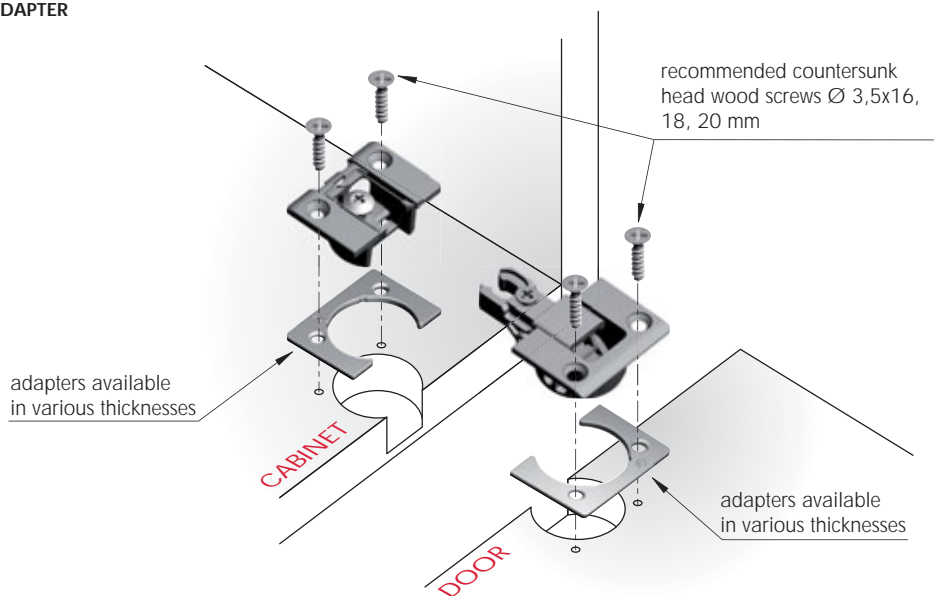
SPECIAL DRILLING PLAN TO MANAGE OVERLAY AND GAP BETWEEN DOOR AND CABINET





KIMANA ADAPTERS

INSTALLATION WITH ADAPTER

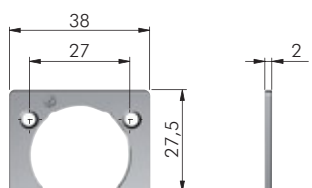


ZA

= on request



40115320YA



ZA

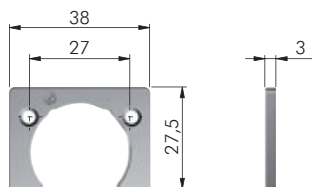
= on request



40115340YA

40115340HX

40115340YQ

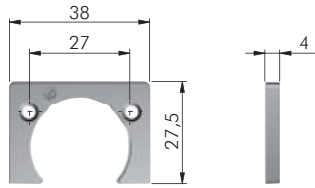


ZA

= on request



40115360YA

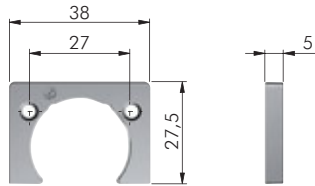


ZA

= on request



40115400YA



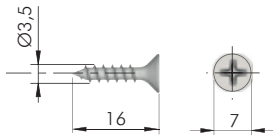
ZA

= on request



40115440YA

FIXING ACCESSORY FOR BOTH KIMANA AND ADAPTERS PART NO. 40115320



= Ø 2,5 mm



= PZ2

ST

= 10.000 pcs.

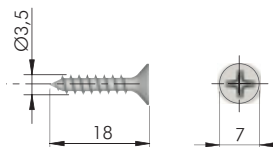


60101390YA

60101390HX

60101390WI

FIXING ACCESSORY FOR KIMANA ADAPTERS PART NO. 40115340 - 40115360



= Ø 2,5 mm



= PZ2

ST

= 10.000 pcs.



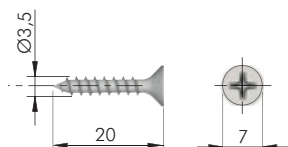
60101400YA

60101400HX

60101400WI



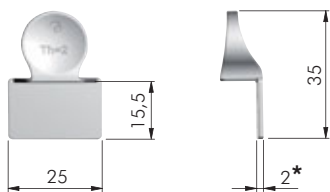
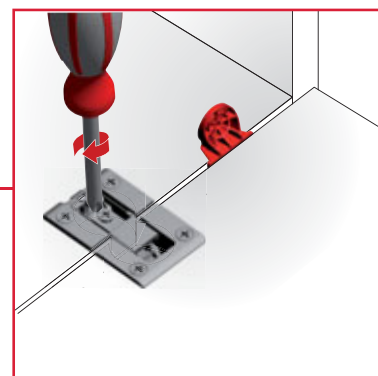
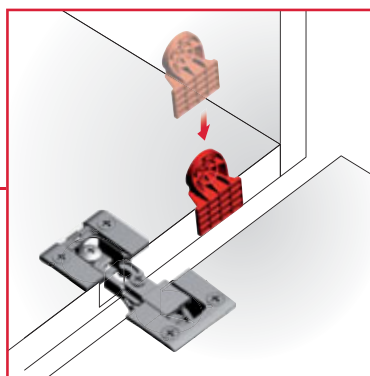
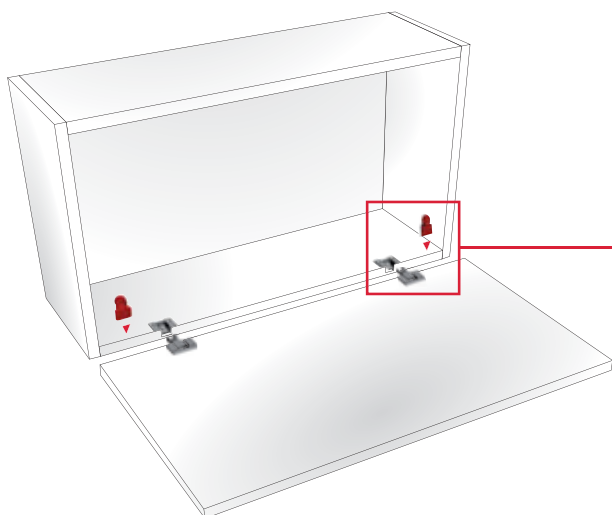
FIXING ACCESSORY FOR KIMANA ADAPTER PART NO. 40115400 - 40115440



= Ø 2,5 mm
 = PZ2
 = 10.000 pcs.

123
60101410YA

DOOR ALIGNMENT SPACER FOR KIMANA HINGES



= on request

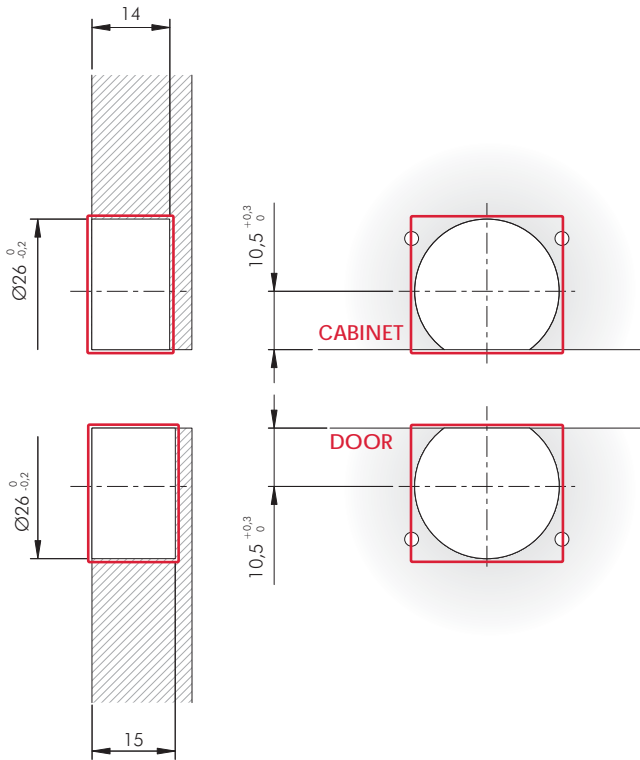
123
40115630RO




2 pcs featured in each polybag.

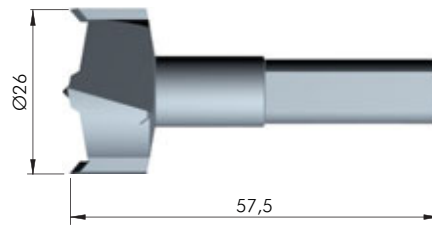
* For non-standard drilling plans 1,5, 2,5, 3 and 4 mm spacers are also available.

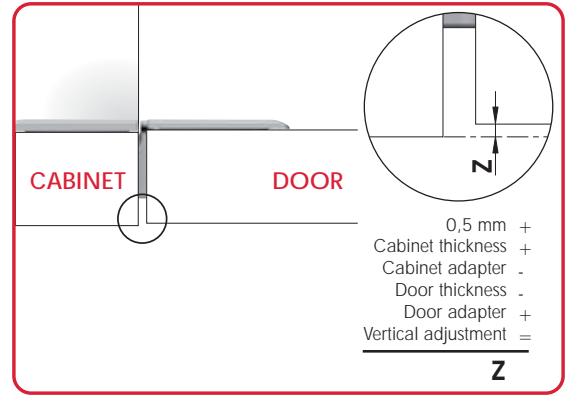
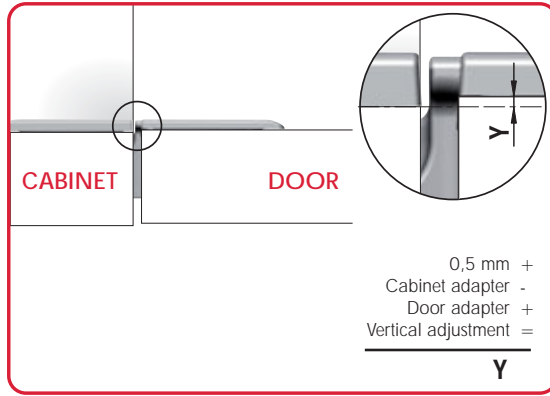
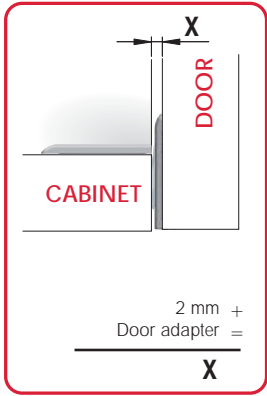


DRILL BIT FOR KIMANA



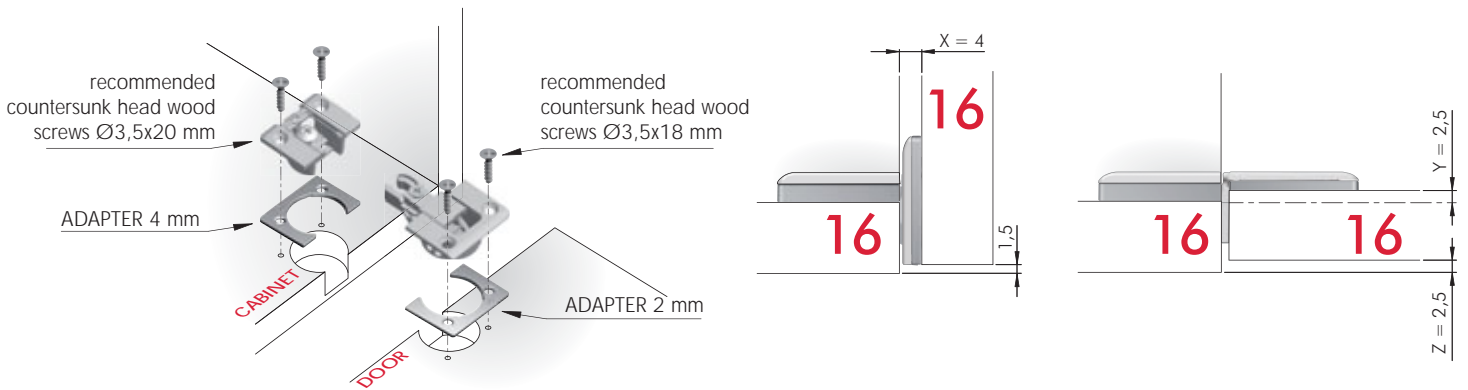
HSS	 = on request
	
6270101000	





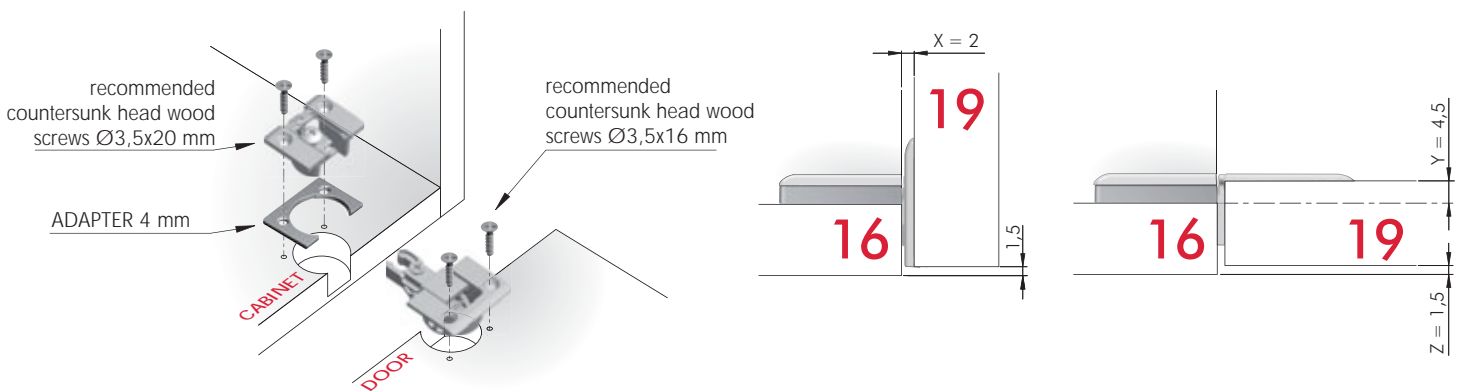
CABINET 16 mm WITH ADAPTER 4 mm THICK - DOOR 16 mm WITH ADAPTER 2 mm THICK

0 + 2 mm FURTHER VERTICAL ADJUSTMENT



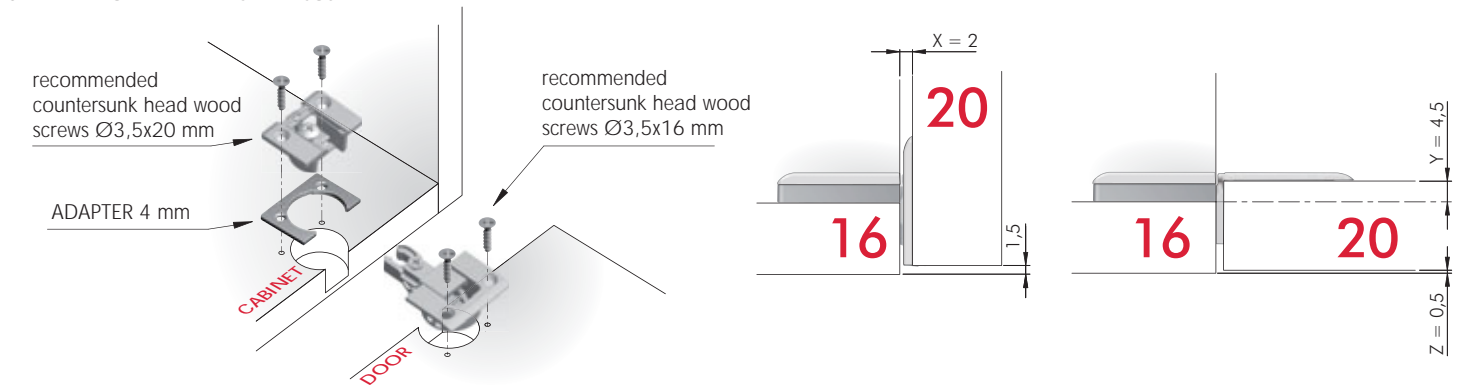
CABINET 16 mm WITH ADAPTER 4 mm THICK - DOOR 19 mm WITHOUT ADAPTER

0 + 2 mm FURTHER VERTICAL ADJUSTMENT



CABINET 16 mm WITH ADAPTER 4 mm THICK - DOOR 20 mm WITHOUT ADAPTER

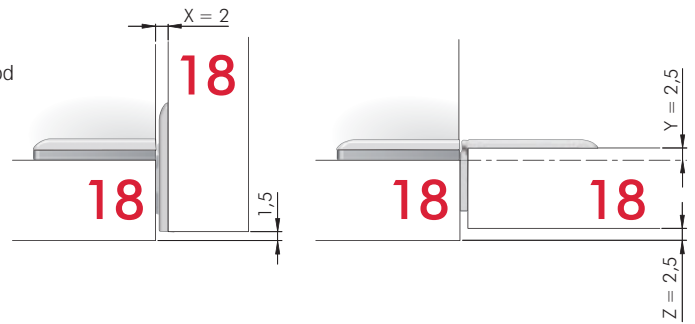
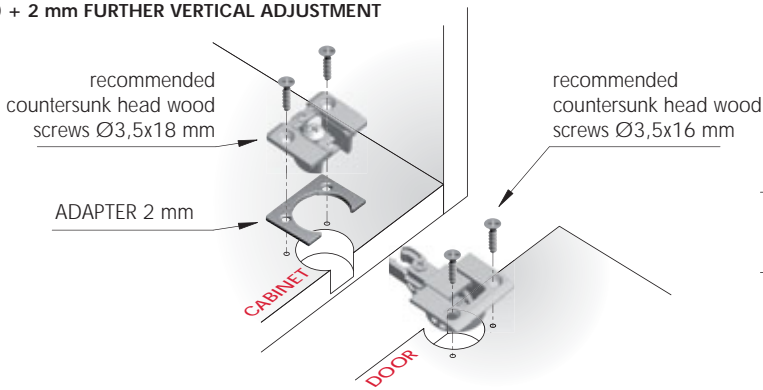
0 + 2 mm FURTHER VERTICAL ADJUSTMENT





CABINET 18 mm WITH ADAPTER 2 mm THICK - DOOR 18 mm WITHOUT ADAPTER

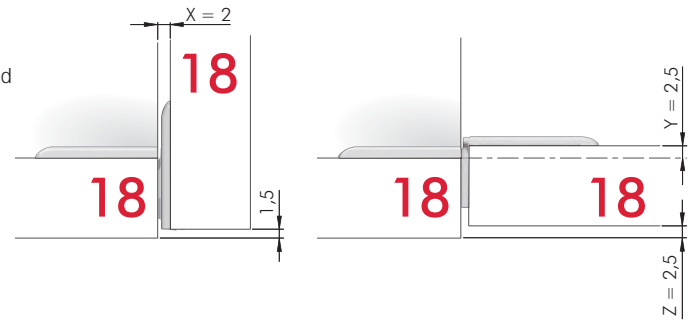
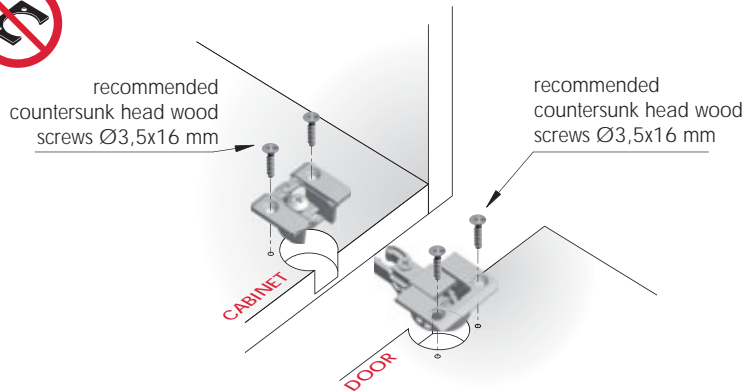
0 + 2 mm FURTHER VERTICAL ADJUSTMENT



CABINET 18 mm WITHOUT ADAPTER - DOOR 18 mm WITHOUT ADAPTER

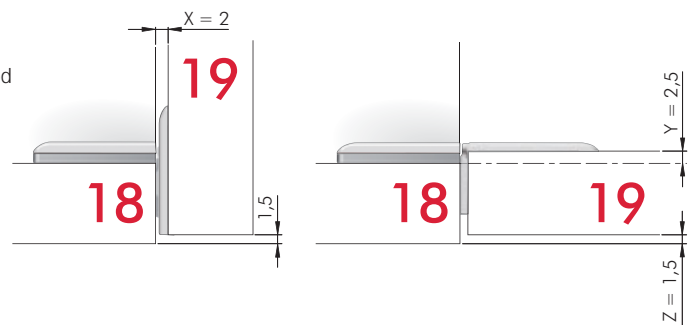
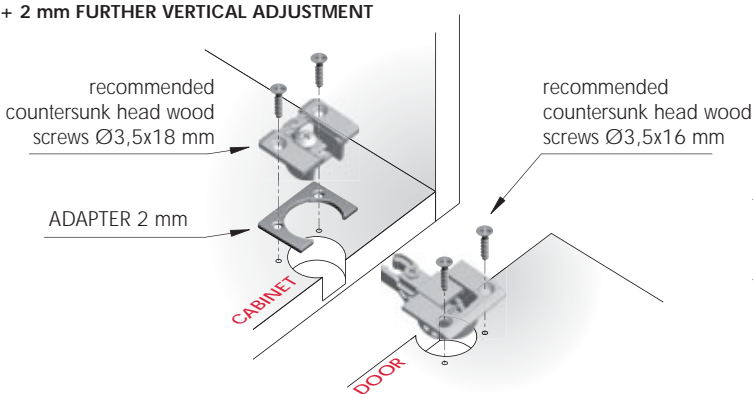


WITH VERTICAL ADJUSTMENT + 2 mm CARRIED OUT



CABINET 18 mm WITH ADAPTER 2 mm THICK - DOOR 19 mm WITHOUT ADAPTER

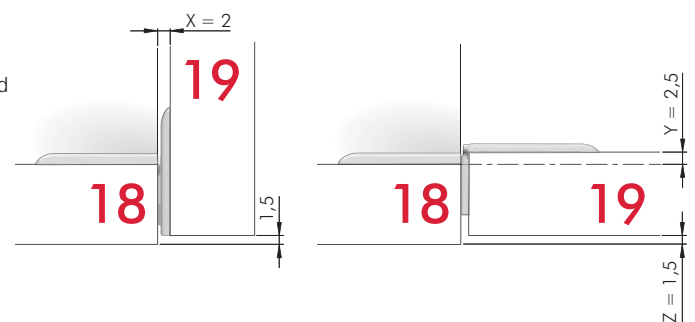
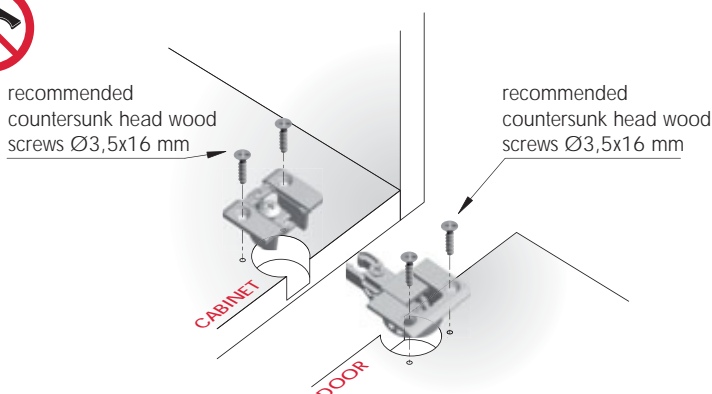
0 + 2 mm FURTHER VERTICAL ADJUSTMENT



CABINET 18 mm WITHOUT ADAPTER - DOOR 19 mm WITHOUT ADAPTER



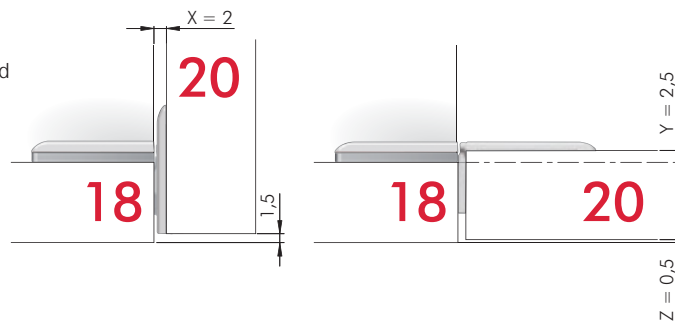
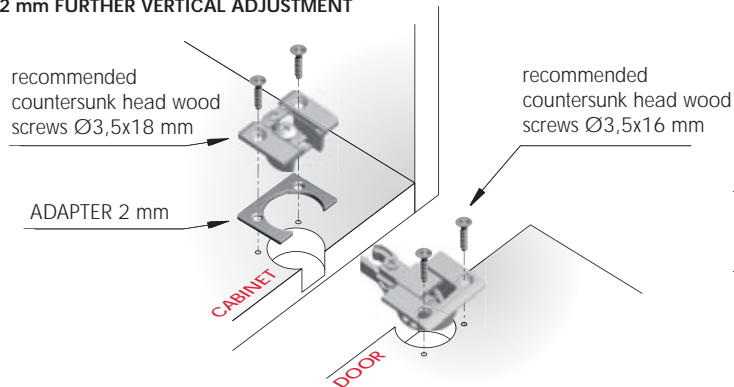
WITH VERTICAL ADJUSTMENT + 2 mm CARRIED OUT





CABINET 18 mm WITH ADAPTER 2 mm THICK - DOOR 20 mm WITHOUT ADAPTER

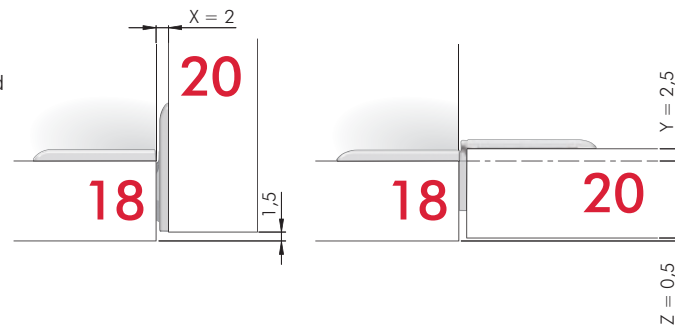
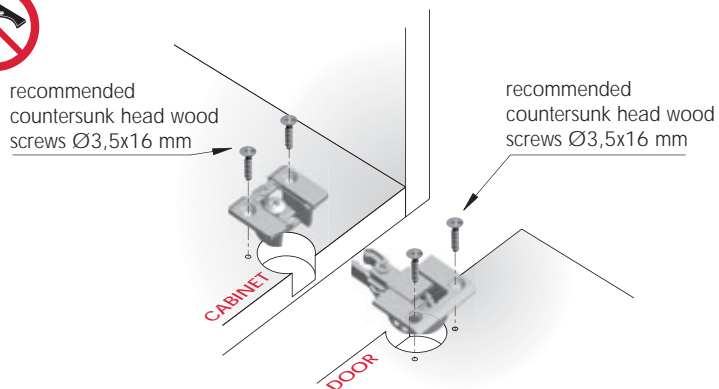
0 + 2 mm FURTHER VERTICAL ADJUSTMENT



CABINET 18 mm WITHOUT ADAPTER - DOOR 20 mm WITHOUT ADAPTER

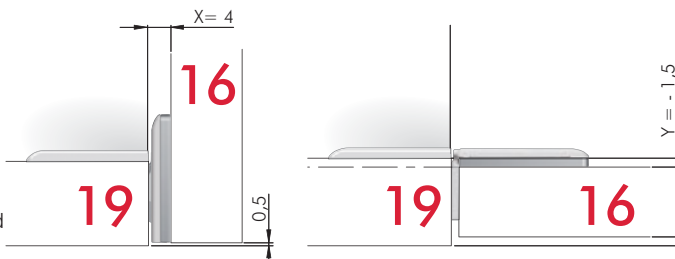
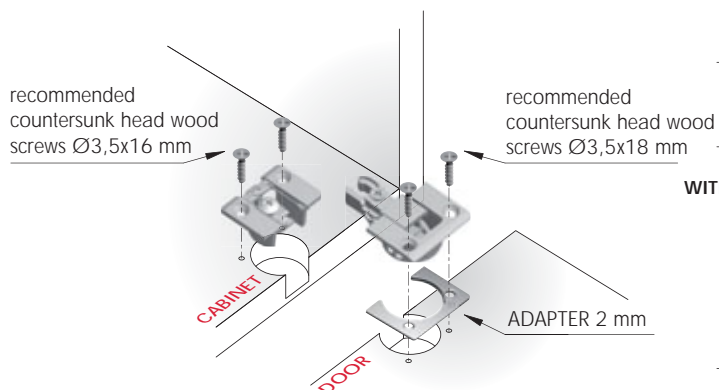


WITH VERTICAL ADJUSTMENT + 2 mm CARRIED OUT

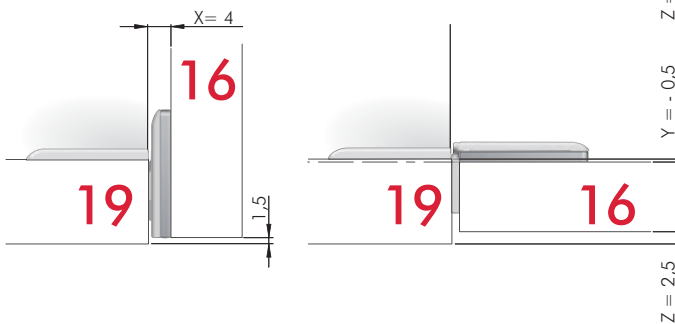


CABINET 19 mm WITHOUT ADAPTER - DOOR 16 mm WITH ADAPTER 2 mm THICK

0 + 2 mm FURTHER VERTICAL ADJUSTMENT

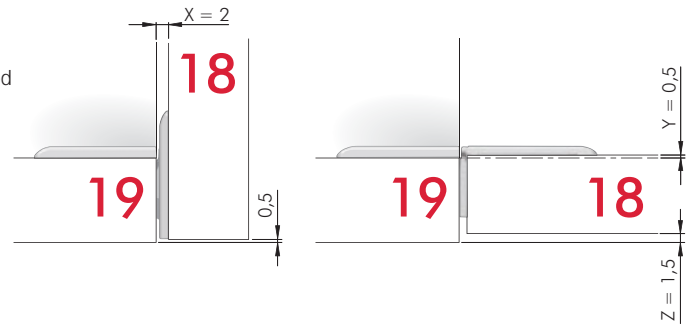
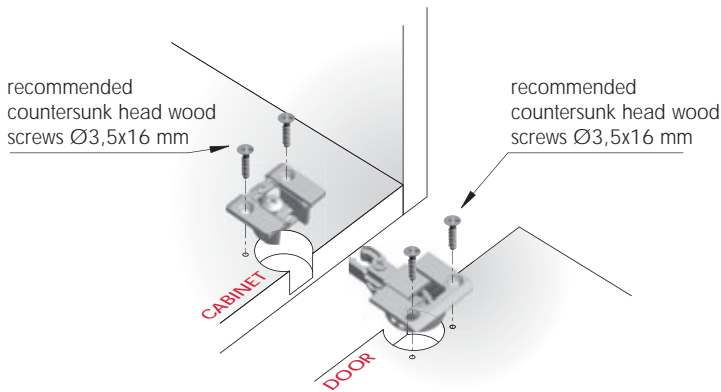


WITH VERTICAL ADJUSTMENT + 1 mm CARRIED OUT

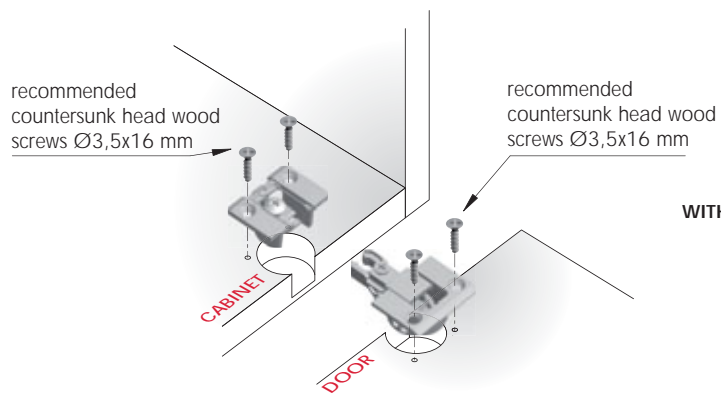




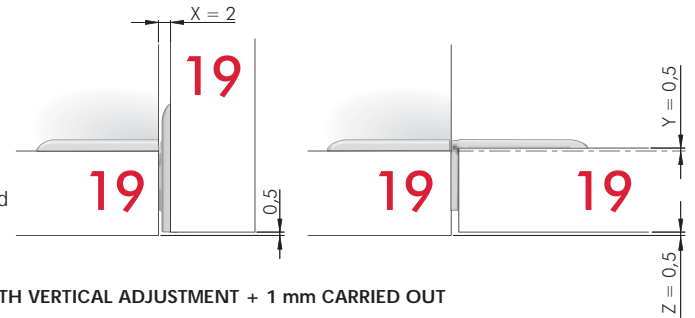
CABINET 19 mm WITHOUT ADAPTER - DOOR 18 mm WITHOUT ADAPTER



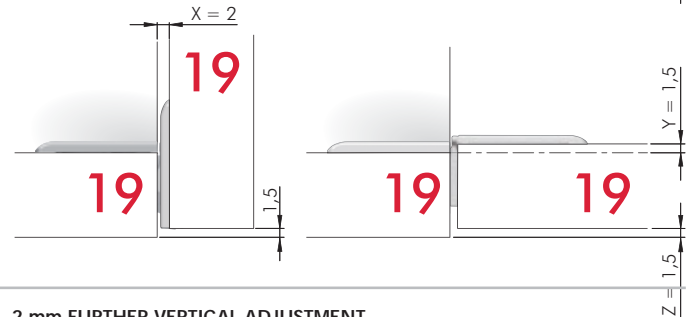
CABINET 19 mm WITHOUT ADAPTER - DOOR 19 mm WITHOUT ADAPTER



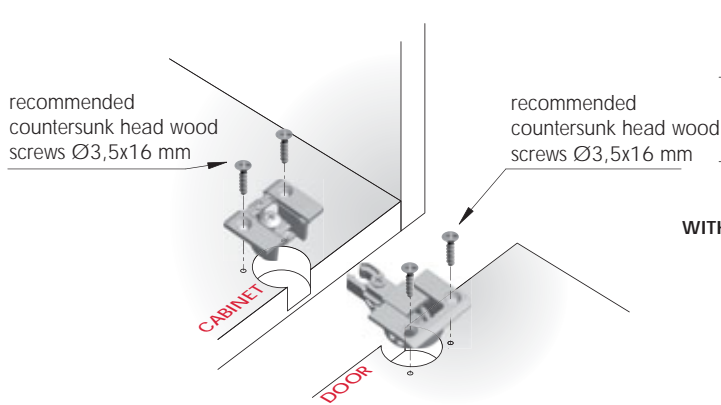
0 + 2 mm FURTHER VERTICAL ADJUSTMENT



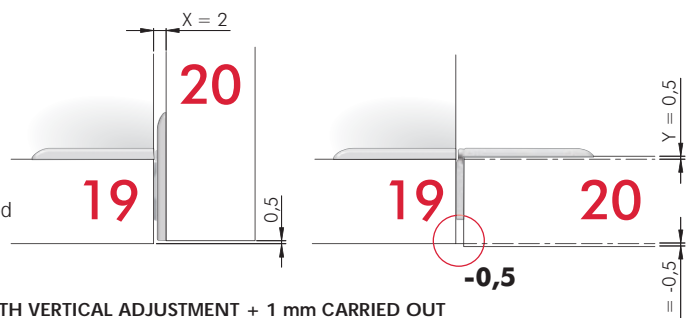
WITH VERTICAL ADJUSTMENT + 1 mm CARRIED OUT



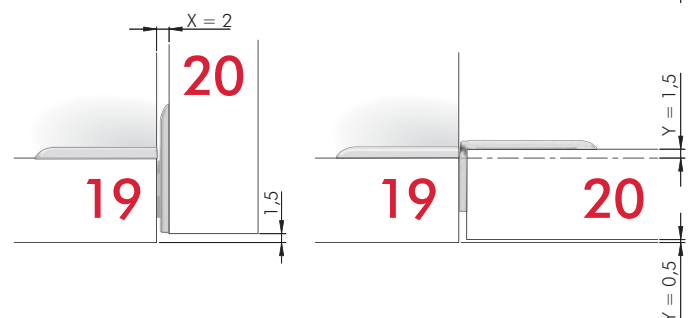
CABINET 19 mm WITHOUT ADAPTER - DOOR 20 mm WITHOUT ADAPTER



0 + 2 mm FURTHER VERTICAL ADJUSTMENT



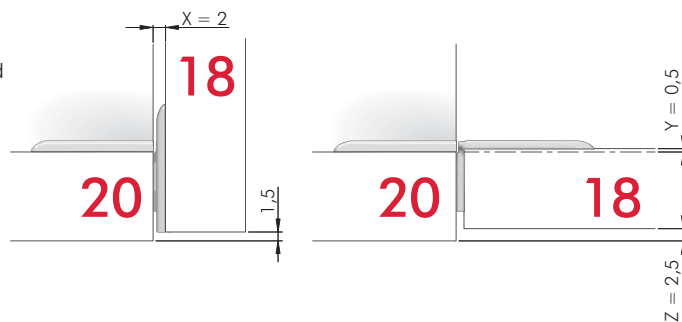
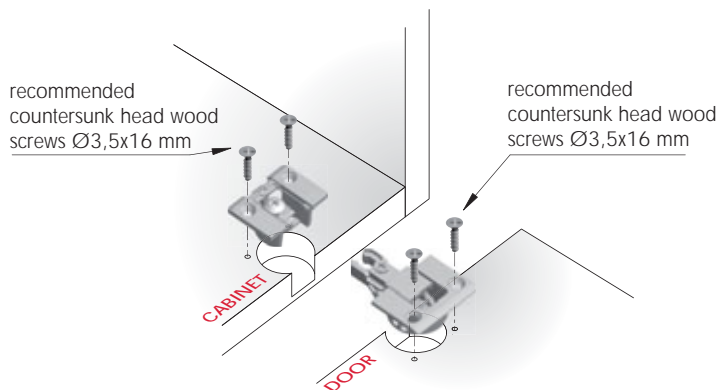
WITH VERTICAL ADJUSTMENT + 1 mm CARRIED OUT





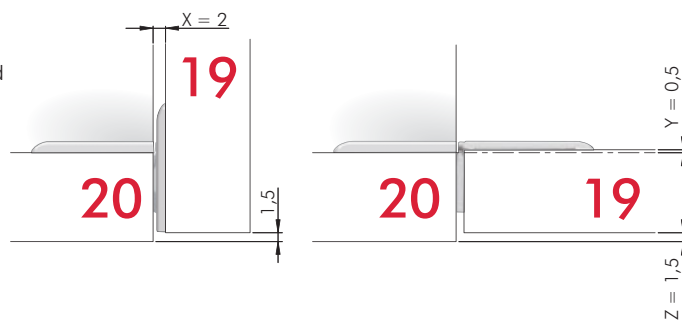
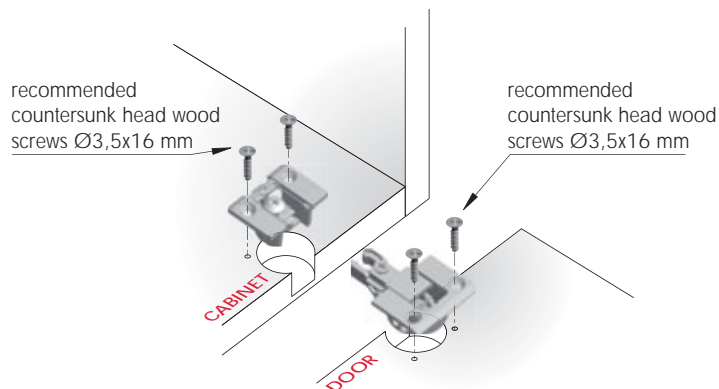
CABINET 20 mm WITHOUT ADAPTER - DOOR 18 mm WITHOUT ADAPTER

0 + 2 mm FURTHER VERTICAL ADJUSTMENT



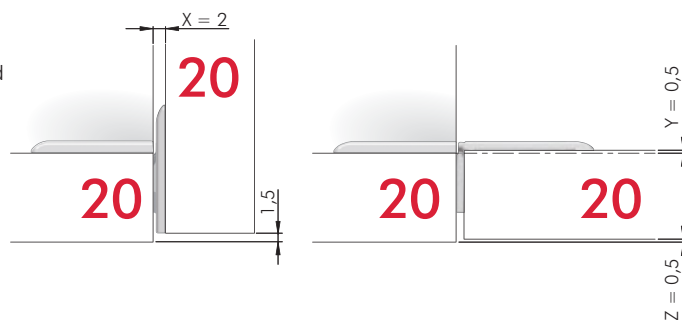
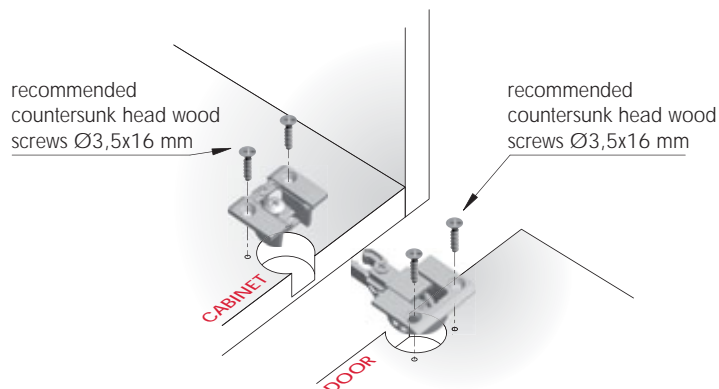
CABINET 20 mm WITHOUT ADAPTER - DOOR 19 mm WITHOUT ADAPTER

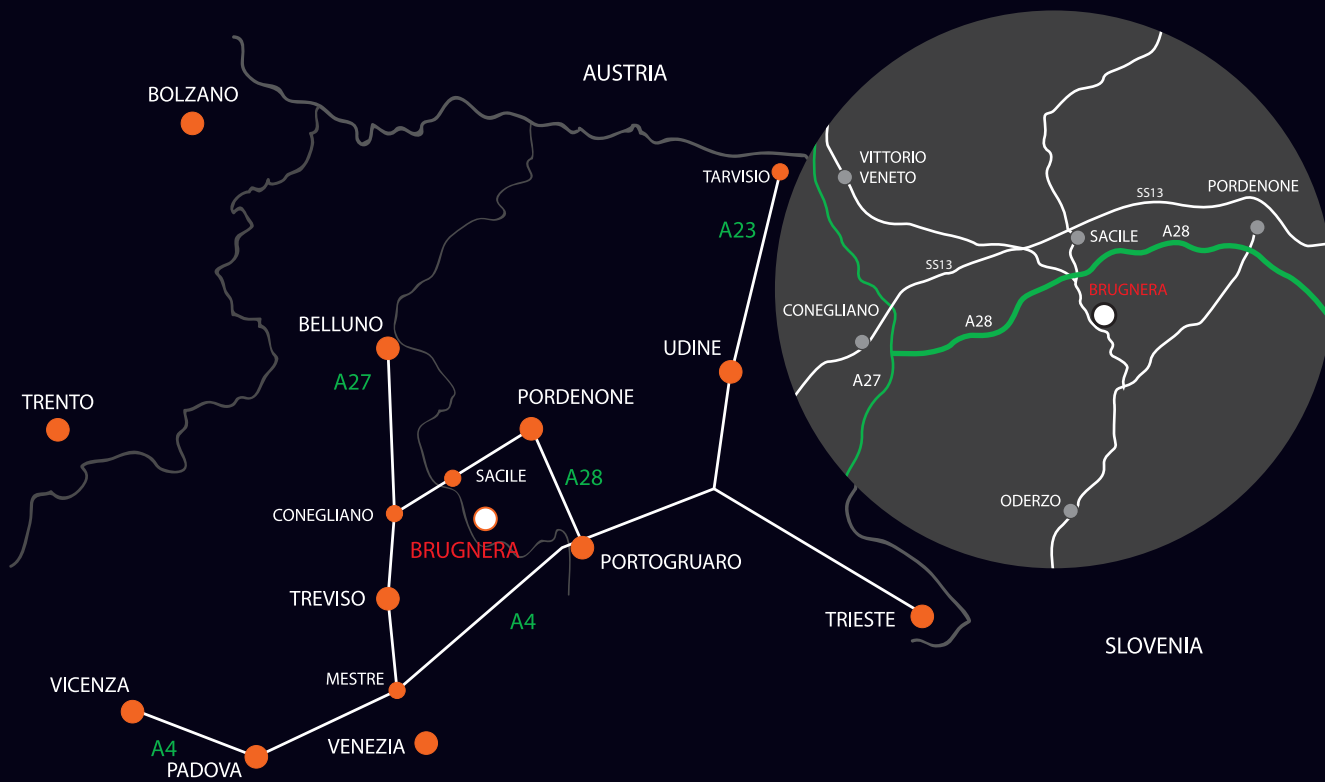
0 + 2 mm FURTHER VERTICAL ADJUSTMENT



CABINET 20 mm WITHOUT ADAPTER - DOOR 20 mm WITHOUT ADAPTER

0 + 2 mm FURTHER VERTICAL ADJUSTMENT





www.italianaferramenta.com