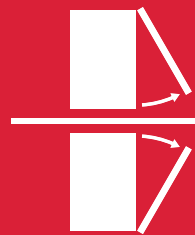




Compact Lid Stay System

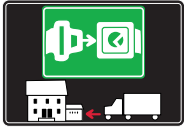


OPENING
SYSTEMS
FOR FLAP
AND DROP
DOWN
DOORS



SYMBOLS AND FINISHES LEGEND

SYMBOLS



= SHELF SAFELY LOCKED DURING TRANSPORTATION AND AT HOME.



= ANTI-TURNOVER LOCKING SYSTEM



= NORMS / PATENTS



= PHILLIPS / POZIDRIV



= WITH BUFFER



= PART NO.



= BLADE SLOT



= WITH MAGNET



= PCS. PER PACKAGE



= COMBI SLOT



= HEXAGONAL SOCKET



= NEWTON



= CAPACITY LOADING



= HEXALOBULAR SOCKET



= FRICTION



= WOOD / GLASS THICKNESS



= COUNTERSUNK HEAD



= AUTOMATIC



= HOLE DIAMETER



= PAN HEAD



= DROP DOWN



= DIAMETER



= FLANGE HEAD



= LENGTH



= FLAT HEAD



= STANDARD HINGE



= HEIGHT



= TRILOBULAR SCREW



= KIMANA HINGE



= RIGHT VERSION



= SELF-TAPPING SCREW



= FLAP HINGE



= LEFT VERSION



= EURO THREAD



= WITH SPRING



= SETTING CODE



= METRIC THREAD



= WITHOUT SPRING



= PCS. PER PAD



= PRE-INSERTED SCREW



= REVERSED SPRING



= CUT ON REQUEST



= PRE-INSERTED SCREW AND SPREADING BUSH



= SELF ADHESIVE



= WITH FLANGE

NOTE: Printing errors and omissions may exist despite our best efforts to ensure accuracy. We reserve the right to alter specifications without notice.

MATERIALS

ZA = Zinc Alloy

ST = Steel

HSS = High Speed Steel

BR = Brass

ABS = Acrylonitrile Butadiene Styrene

ZAnk = Nickel-plated Zinc Alloy

STzk = Zinc-plated Steel

AL = Aluminium

WD = Wood

EVA = Ethylene Vinyl Acetate

EP = **ENGINEERING PLASTIC**

+ **EP** = other engineering plastic available on request

SR = **SOFT RUBBER**

+ **SR** = other soft rubber available on request

EPn = Natural Engineering Plastic

EPc = Clear Engineering Plastic

SRn = Natural Soft Rubber

EPw = White Engineering Plastic

EPg = Grey Engineering Plastic

SRw = White Soft Rubber

EPwg = Water Green Engineering Plastic

SRb = Black Soft Rubber



FINISHES



+ **OTHER FINISHES AVAILABLE ON REQUEST**

PART NO.	FINISHES	PART NO.	FINISHES	PART NO.	FINISHES
00	Insignificant finish	IF	Middle Grey	UT	T-Met 9007
AA	Natural	IJ	Light Grey	UZ	T-Met
AB	White	IL	Grey 20	WA	Bronzed
AE	White 9010	IN	Grey met. 26	WI	Burnished
EA	Black	JB	Bright Aluminium	XD	Satin-finished Steel
EC	Matt Black	JC	Aluminium - Chrome	YA	Nickel-plated
EE	Anthracite	JD	Matt Aluminium	YB	Bright Nickel-plated
EW	Grey 9007	JE	Satin-finished Aluminium	YC	Matt Nickel-plated
FU	Gunmetal	JF	Aluminium - Brass	YD	Satin-finished Nickel-plated
FV	Gunmetal V52	JG	Aluminium 5	YQ	Black Nickel
GR	Raw	JL	Aluminium PE 11	Z9	Black Zinc
HA	Brass-Plated	JM	Aluminium RAL 9006	ZA	Zinc alloy
HH	Tropicalized	KA	Chrome	ZN	Zinc-plated
HL	Raw Brass	KB	Bright Chrome	ZQ	Bright Gold
HX	Graphite	KC	Matt Chrome	ZY	Titanium
IA	Grey	NN	Metallic Beige	ZZ	Clear
IB	Metallic Grey	RO	Red		

COMPACT SYSTEM LIFT UP

COMPACT is a gas and oil stay to open flap doors. It has been conceived to be installed by using standard automatic drilling processes.

It is available in three different lengths and several newton strengths to suit doors of any size.

It can be fixed directly on solid doors or wider aluminium frame section doors. For small aluminium sections a range of special adaptors is available.

COMPACT is available in:

- Automatic version: once you open the door, it continues to open gently and completely by itself.

- Friction version: once you open the door, the stay holds the door in any required position.

COMPACT has a quick and easy installing: after the piston is slotted onto the door bracket, the piston can be easily clicked against the side bracket.

All the parts (stay excluded) are in zinc alloy nickel plated and engineering plastic.



FRICITION VERSION



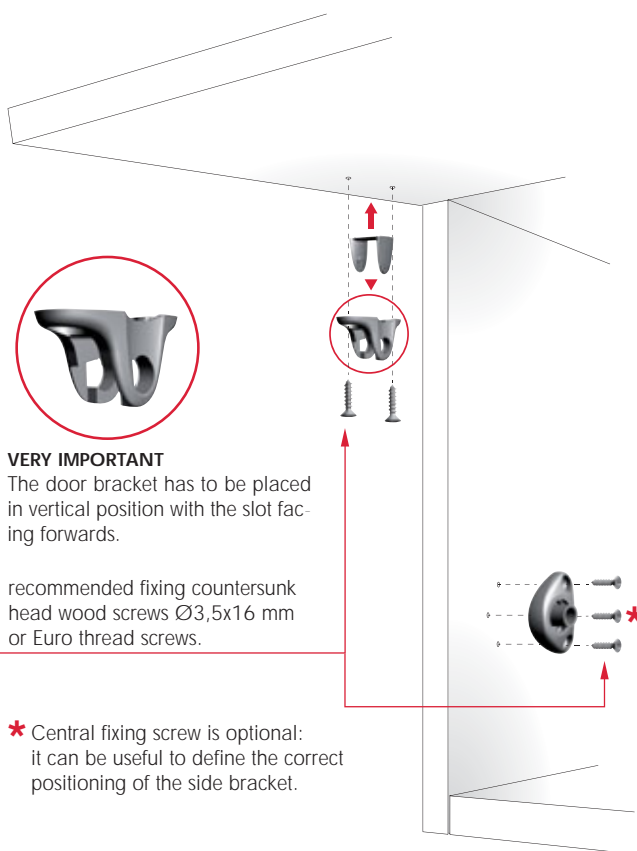
AUTOMATIC VERSION



PATENTED
Certificates available
on request.



INSTALLATION

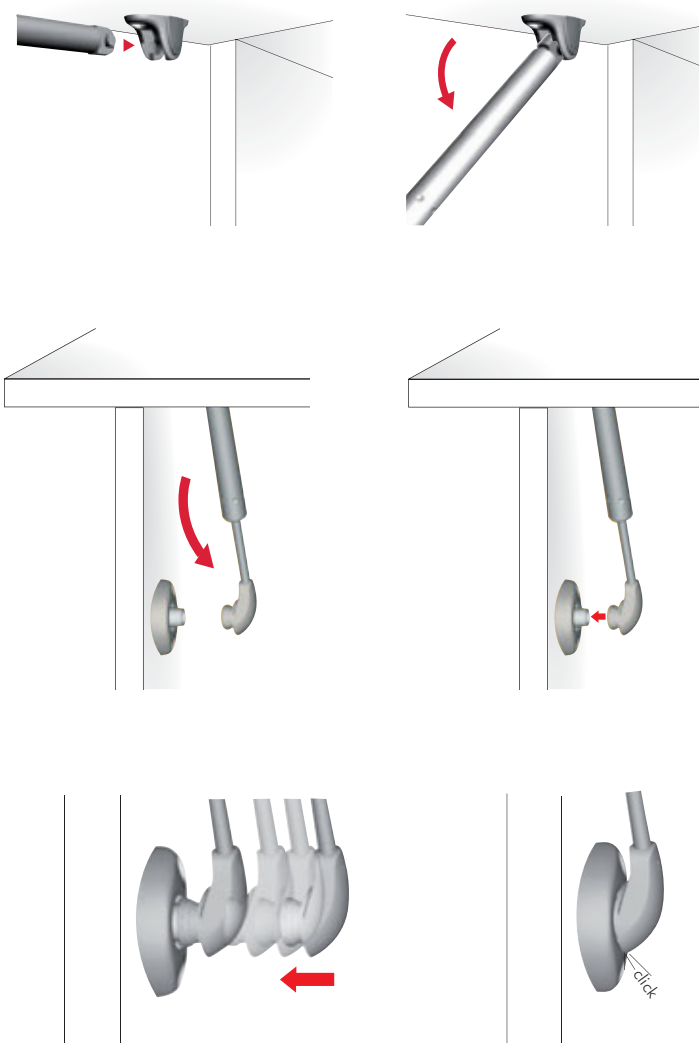


VERY IMPORTANT

The door bracket has to be placed in vertical position with the slot facing forwards.

recommended fixing countersunk head wood screws $\varnothing 3,5 \times 16$ mm or Euro thread screws.

* Central fixing screw is optional: it can be useful to define the correct positioning of the side bracket.



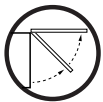


LIFT UP



ZAnk EP ST

= 100 pcs.



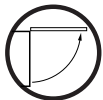
COMPACT FRICTION VERSION

Further newton strengths available on request.

L			N
164	42301010UZ		45
	42302010UZ		60

L			N
244	42311010UZ		45
	42312010UZ		60
	42313010UZ		90
	42314010UZ		120

L			N
355	42330010UZ		45
	42331010UZ		60
	42332010UZ		90
	42333010UZ		120



COMPACT AUTOMATIC VERSION

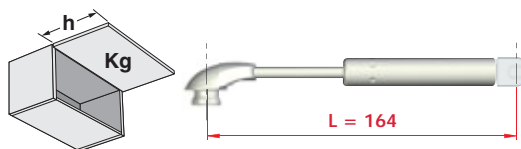
Further newton strengths available on request.

L			N
164	42401010UZ		50
	42402010UZ		80
	42403010UZ		120

L			N
244	42410010UZ		50
	42412010UZ		80
	42413010UZ		100
	42414010UZ		120
	42415010UZ		140

L			N
355	42430010UZ		50
	42431010UZ		80
	42432010UZ		100
	42433010UZ		120

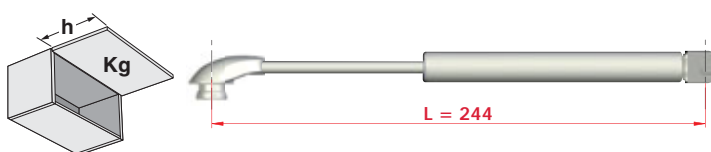
Number of stays chart - L 164 mm



Rev. 02

h	Compact version	Door weight (Kg)										Compact version
		1	2	3	4	5	6	7	8	9	10	
230 - 274	Automatic	1x80N	2x80N		2x120N		3x120N			4x120N		Automatic
	Friction	1x45N	2x45N			2x60N			3x60N			Friction
275 - 325	Automatic	1x80N	2x80N	2x120N		3x120N			4x120N			Automatic
	Friction	1x60N	2x45N		2x60N		3x60N	4x60N			Friction	

Number of stays chart - L 244 mm

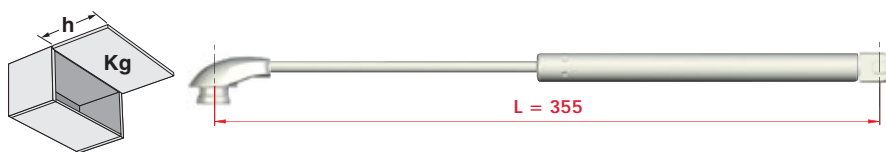


Rev. 02

h	Compact version	Door weight (Kg)													Compact version
		1	2	3	4	5	6	7	8	9	10	11	12	13	
300 - 324	Automatic	1x80N		2x50N		2x80N		2x100N		2x120N		2x140N	2x160N*		Automatic
	Friction	1x45N		1x60N	2x45N			2x60N			2x90N			Friction	
325 - 374	Automatic	1x80N		2x50N	2x80N		2x100N	2x120N		2x140N	2x160N*			2x180N*	Automatic
	Friction	1x45N	1x60N	2x45N		2x60N			2x90N			2x120N		Friction	
375 - 424	Automatic	1x80N	2x50N	2x80N		2x100N	2x120N	2x140N	2x160N*		2x180N*	2x240N*		Automatic	
	Friction	1x45N	1x60N	2x45N		2x60N			2x90N		2x120N			Friction	
425 - 474	Automatic	2x50N		2x80N		2x100N	2x120N	2x140N	2x160N*		2x180N*	3x160N*		Automatic	
	Friction	1x60N		2x45N		2x60N			2x90N			2x120N	3x90N		Friction
475 - 524	Automatic	2x80N			2x100N		2x120N	2x140N	2x160N*		2x180N*		3x160N*		Automatic
	Friction	2x45N			2x60N			2x90N	2x120N	3x90N		3x120N		Friction	

* Stenghts available on request.

Number of stays chart - L 355 mm



Rev. 02

h	Compact version	Door weight (Kg)													Compact version
		1	2	3	4	5	6	7	8	9	10	11	12	13	
400 - 424	Automatic	1x80N			2x50N			2x80N			2x100N	2x120N	2x160N		Automatic
	Friction	2x45N						2x60N						Friction	
425 - 474	Automatic	1x80N	2x50N	2x80N			2x100N		2x120N	2x160N			Automatic		
	Friction	2x45N						2x60N			2x90N			Friction	
475 - 524	Automatic	1x80N	2x50N	2x80N		2x100N	2x120N	2x160N		2x180N	2x200N		Automatic		
	Friction	2x45N						2x60N			2x90N			Friction	
525 - 574	Automatic	1x80N	2x50N	2x80N		2x100N	2x100N	2x160N			2x180N	2x200N		Automatic	
	Friction	2x45N						2x60N			2x90N			Friction	
575 - 624	Automatic	2x50N		2x80N	2x100N	2x120N	2x160N			2x180N	2x200N		Automatic		
	Friction	2x45N						2x60N			2x90N			Friction	
625 - 700	Automatic	2x50N		2x80N	2x100N	2x120N	2x160N			2x180N	2x200N		Automatic		
	Friction	2x45N			2x60N			2x90N		2x120N			Friction		

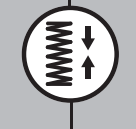
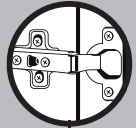
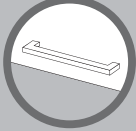
These are experimental results to be checked by the customer. Our Technical Department is at your disposal to test further cases out of this charts.



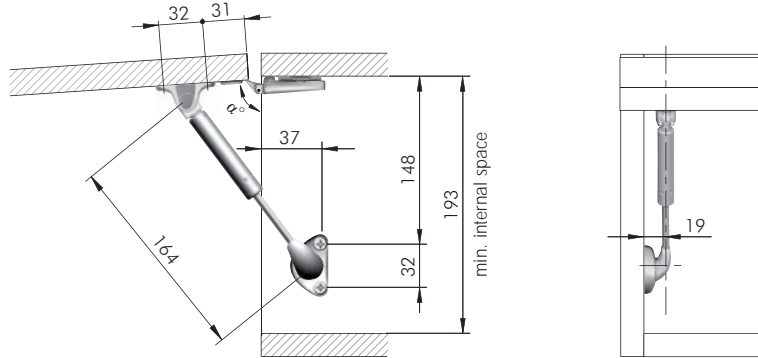
COMPACT CONFIGURATOR:



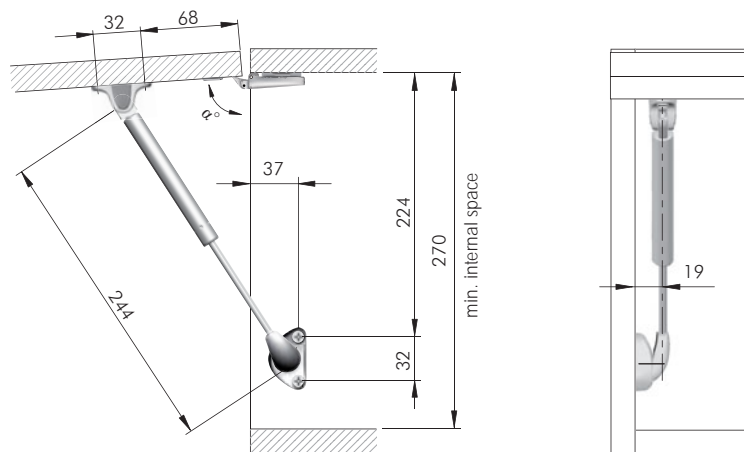
LIFT UP DRILLING PLANS WITH STANDARD HINGES OPENING WITH HANDLE



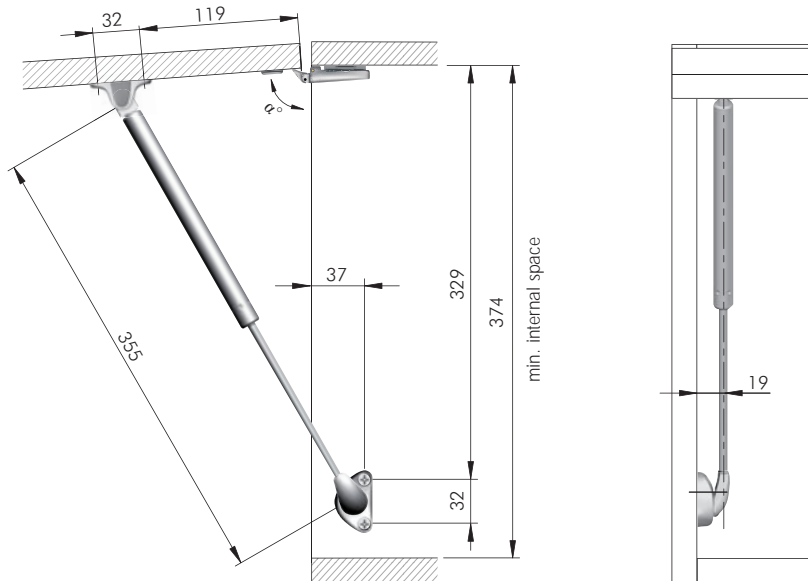
L 164 mm



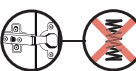
L 244 mm



L 355 mm



The dimensions of the above drilling plans refer to carcasses which use **standard sprung or unsprung hinges** and mounting plates 0 mm. Please note that the α° opening angle shown data is purely indicative. It varies with respect to the hinge brand and adjustment carried out.



Please note that in case of use of **unsprung hinges**, **magnet K Lock** is required. For details refer to section "PUSH CATCHES & MAGNETIC CATCHES".

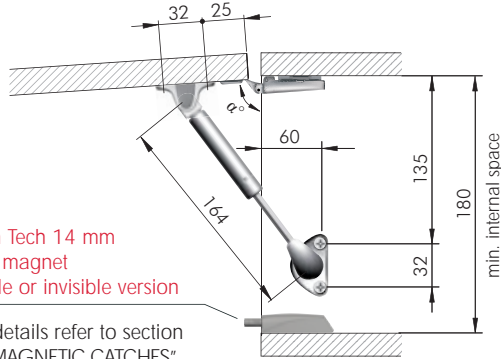


LIFT UP DRILLING PLANS WITH STANDARD HINGES PUSH TO OPEN

COMPACT CONFIGURATOR:



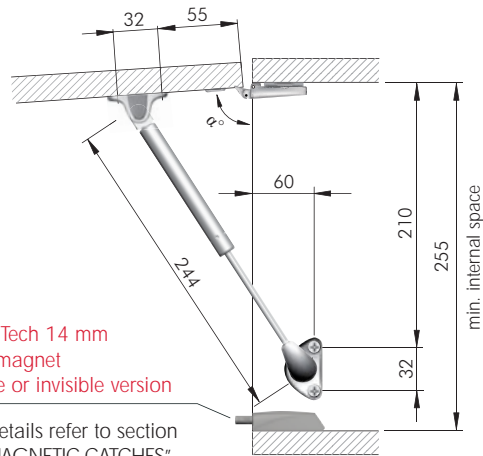
L 164 mm



K Push Tech 14 mm
- With magnet
- Visible or invisible version

For details refer to section
"PUSH CATCHES & MAGNETIC CATCHES".

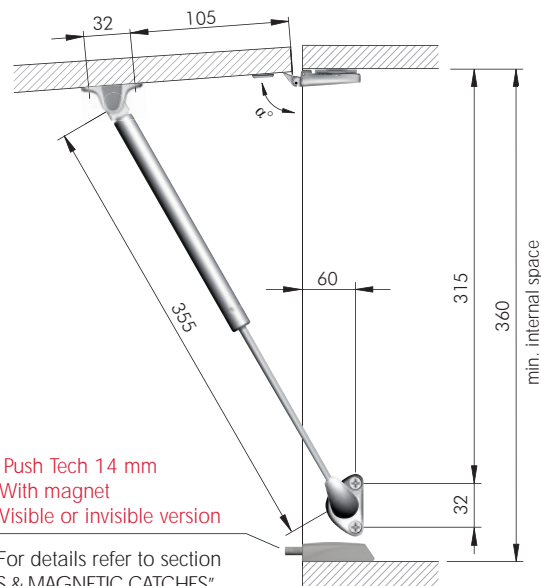
L 244 mm



K Push Tech 14 mm
- With magnet
- Visible or invisible version

For details refer to section
"PUSH CATCHES & MAGNETIC CATCHES".

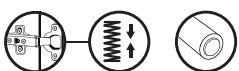
L 355 mm



K Push Tech 14 mm
- With magnet
- Visible or invisible version

For details refer to section
"PUSH CATCHES & MAGNETIC CATCHES".

The dimensions of the above drilling plans refer to carcasses which use **standard unsprung hinges** and mounting plates 0 mm. Please note that the α° opening angle shown data is purely indicative. It varies with respect to the hinge brand and adjustment carried out.




Please note that utilization with **standard sprung hinges** and **K Push Tech with buffer** is also possible. In such case, after the door is initially released by K Push Tech, a manual opening approx. 7cm is required (in order to win the spring resistance). Consequently, the door will automatically open to the fullest. For details refer to section "PUSH CATCHES & MAGNETIC CATCHES".



COMPACT DROP DOWN

COMPACT is a gas and oil stay to open drop down doors. It has been conceived to be installed by using standard automatic drilling processes. It is available in three different lengths and with a universal "Zero" N strength, to suit any door dimension and weight. It boasts smooth and elegant movement to gently open the doors downwards.

COMPACT grants a quick and easy installation to be carried out manually, with no need to tension the strength. Directly installed on solid or wider aluminium frame doors and wide range of special adapters to suit small aluminium door profiles. All the parts (stay excluded) are in zinc alloy nickel plated and plastic.

PATENTED 
Certificates available on request.

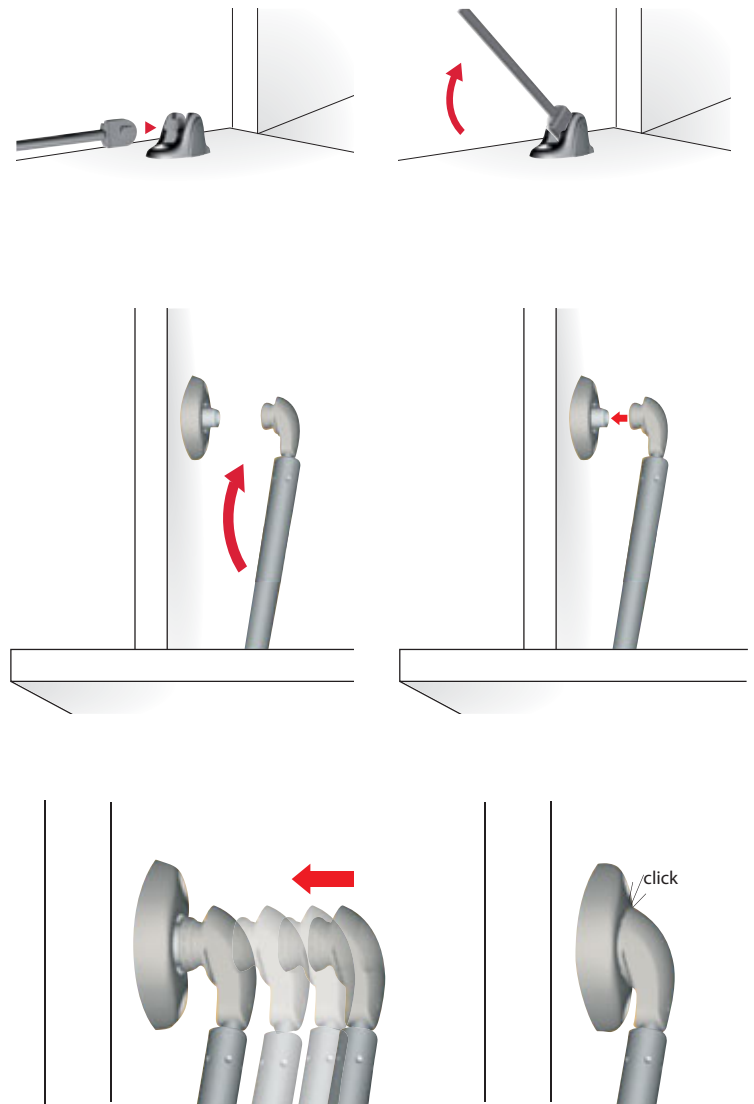
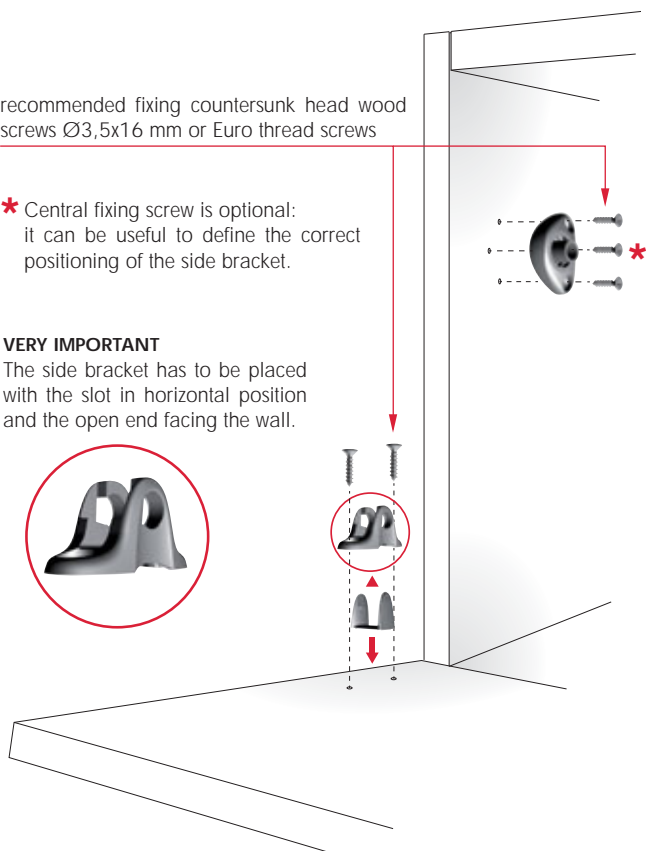
INSTALLATION

recommended fixing countersunk head wood screws $\varnothing 3,5 \times 16$ mm or Euro thread screws

* Central fixing screw is optional:
it can be useful to define the correct
positioning of the side bracket.

VERY IMPORTANT

The side bracket has to be placed
with the slot in horizontal position
and the open end facing the wall.



DROP DOWN

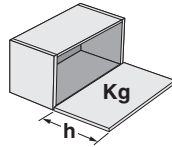


ZAnk EP ST = 100 pcs.

L		
164	42501010UZ	
244	42510010UZ	
355	42530010UZ	

Number of stays chart - L 164 mm

Rev. 02



h	Door weight (Kg)					
	1	2	3	4	5	6
200 - 284	2 x Compact		3 x Compact		4 x Compact	

Number of stays chart - L 244 mm

Rev. 02

h	Door weight (Kg)												
	1	2	3	4	5	6	7	8	9	10	11	12	13
280 - 324	2 x Compact						3 x Compact					4 x Compact	
325 - 424	2 x Compact						3 x Compact					4 x Compact	
425 - 500	2 x Compact						3 x Compact					4 x Compact	

Number of stays chart - L 355 mm

Rev. 02

h	Door weight (Kg)												
	1	2	3	4	5	6	7	8	9	10	11	12	13
380 - 500	2 x Compact										3 x Compact		
501 - 600	2 x Compact								3 x Compact				

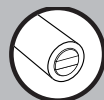
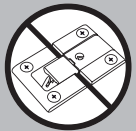
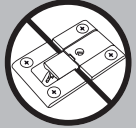
These are experimental results to be checked by the customer. In accordance with the actual European regulation, we suggest to use at least two stays for each door. Our technical department is at your disposal to test further cases out of this chart.



COMPACT CONFIGURATOR:



DROP DOWN DRILLING PLANS WITH KIMANA HINGE



L 164 mm

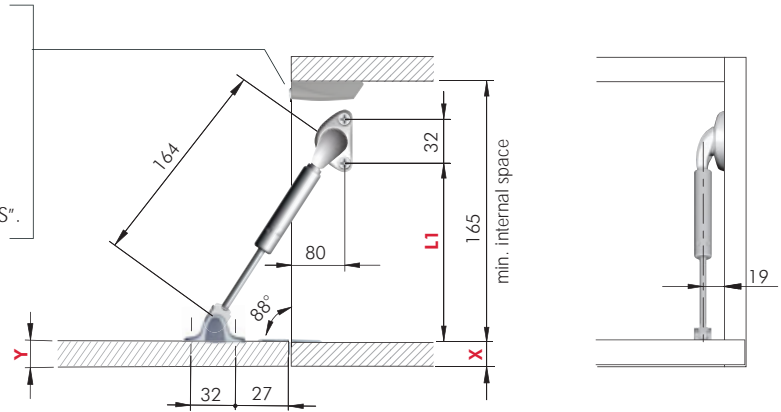


Magnet K Lock
visible or invisible



K Push Tech 20 mm
- With magnet
- Visible or invisible

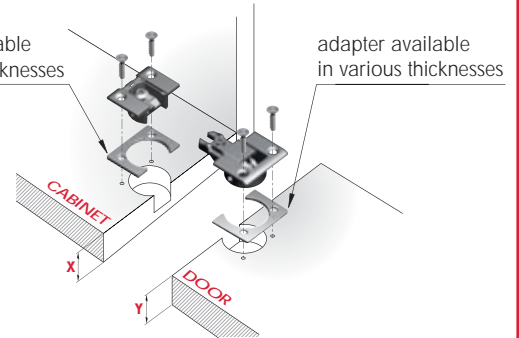
For details refer to section
"PUSH CATCHES & MAGNETIC CATCHES".



Cabinet (X)		Door (Y)		L1
16 mm	4 mm	16 mm	2 mm	117
16 mm	4 mm	19 mm	-	119
18 mm	2 mm	18 mm	-	117
19 mm	-	16 mm	2 mm	113
19 mm	-	19 mm	-	115
20 mm	-	20 mm	-	115

For Kimana and adapter details refer to section "HINGES".

adapter available
in various thicknesses



adapter available
in various thicknesses

L 244 mm

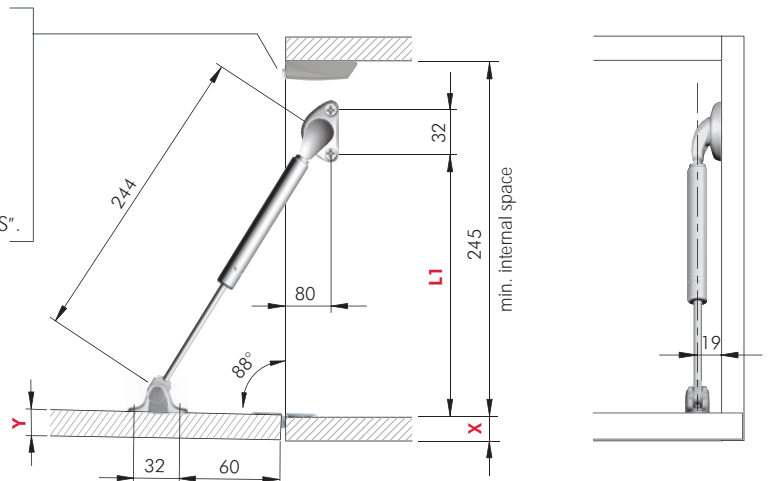


Magnet K Lock
visible or invisible



K Push Tech 20 mm
- With magnet
- Visible or invisible

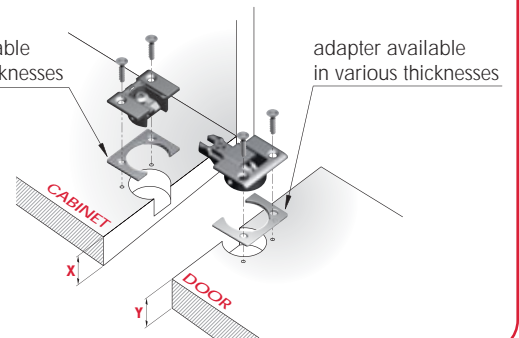
For details refer to section
"PUSH CATCHES & MAGNETIC CATCHES".



Cabinet (X)		Door (Y)		L1
16 mm	4 mm	16 mm	2 mm	197
16 mm	4 mm	19 mm	-	199
18 mm	2 mm	18 mm	-	197
19 mm	-	16 mm	2 mm	193
19 mm	-	19 mm	-	195
20 mm	-	20 mm	-	195

For Kimana and adapter details refer to section "HINGES".

adapter available
in various thicknesses



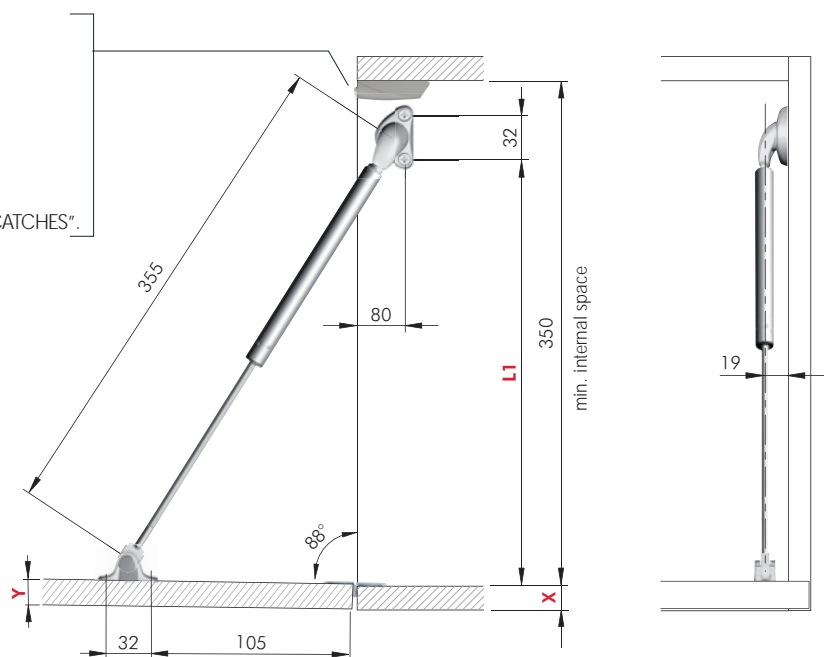
adapter available
in various thicknesses

L 355 mm

 Magnet K Lock
visible or invisible

 K Push Tech 20 mm
- With magnet
- Visible or invisible

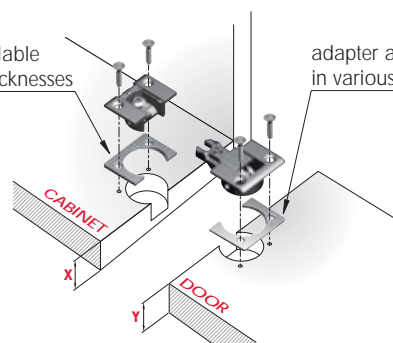
For details refer to section
"PUSH CATCHES & MAGNETIC CATCHES".



Cabinet (X)		Door (Y)		L1
16 mm	4 mm	16 mm	2 mm	302
16 mm	4 mm	19 mm	-	304
18 mm	2 mm	18 mm	-	302
19 mm	-	16 mm	2 mm	298
19 mm	-	19 mm	-	300
20 mm	-	20 mm	-	300

adapter available
in various thicknesses

adapter available
in various thicknesses

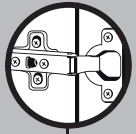


For Kimana and adapter details refer to section "HINGES".

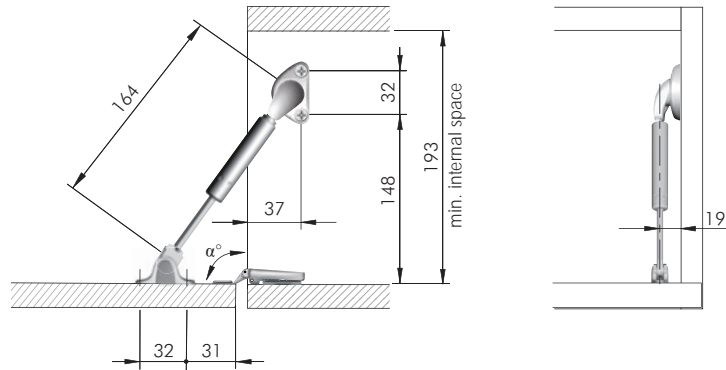


DROP DOWN DRILLING PLANS WITH STANDARD HINGES
OPENING WITH HANDLE

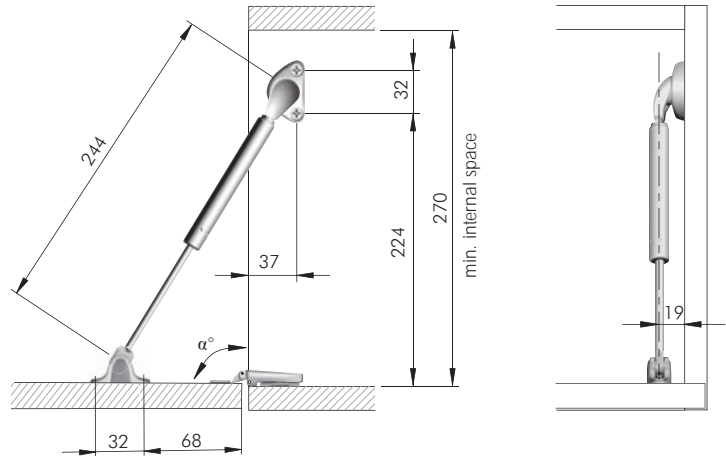
COMPACT CONFIGURATOR:



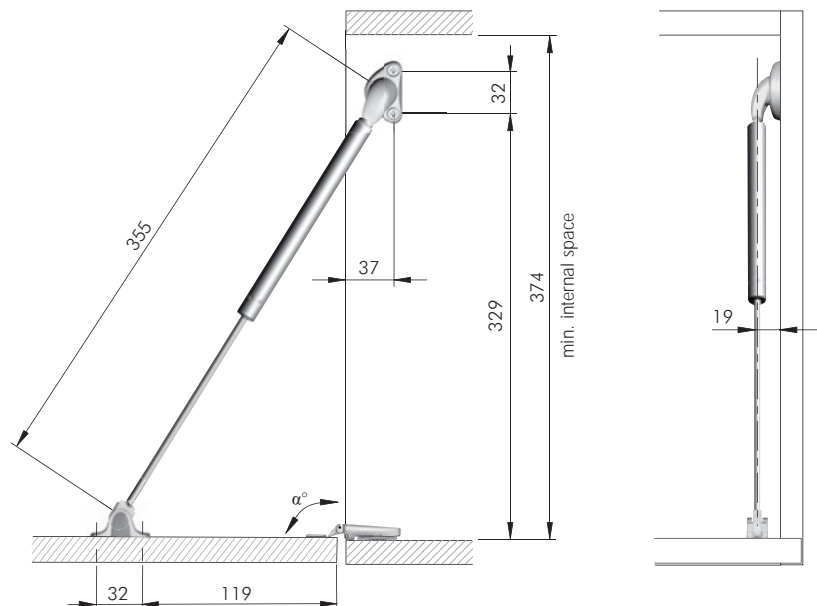
L 164 mm



L 244 mm



L 355 mm



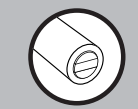
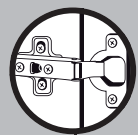
The dimensions of the drilling plans refer to carcasses which use *standard sprung hinges* and mounting plates 0 mm. Please note that the α° opening angle shown data is purely indicative. It varies with respect to the hinge brand and adjustment carried out.



Please note that in case of use of *unsprung hinges*, magnet **K Lock** is required. For details refer to section "PUSH CATCHES & MAGNETIC CATCHES".



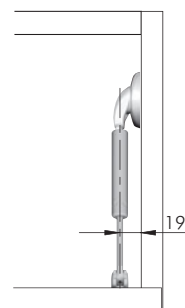
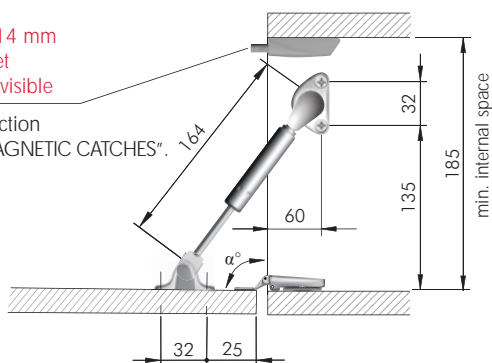
DROP DOWN DRILLING PLANS WITH STANDARD HINGES PUSH TO OPEN



L 164 mm

- K Push Tech 14 mm
- With magnet
- Visible or invisible

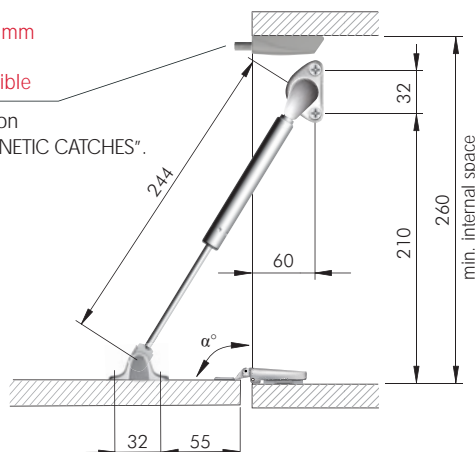
For details refer to section "PUSH CATCHES & MAGNETIC CATCHES".



L 244 mm

- K Push Tech 14 mm
- With magnet
- Visible or invisible

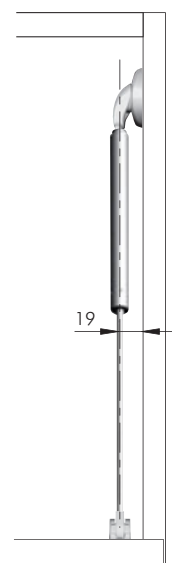
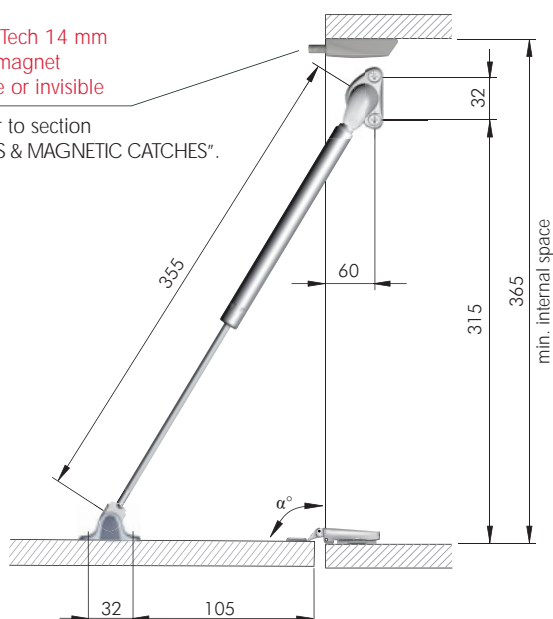
For details refer to section "PUSH CATCHES & MAGNETIC CATCHES".



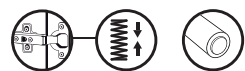
L 355 mm

- K Push Tech 14 mm
- With magnet
- Visible or invisible

For details refer to section "PUSH CATCHES & MAGNETIC CATCHES".



The dimensions of the drilling plan refer to carcasses which use **standard unsprung hinges** and mounting plates 0 mm. Please note that the α° opening angle shown data is purely indicative. It varies with respect to the hinge brand and adjustment carried out.

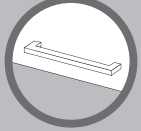


Please note that utilization with **standard sprung hinges** and **K Push Tech with buffer** is also possible. In such case, after the door is initially released by K Push Tech, a manual opening approx. 7cm is required (in order to win the spring resistance). Consequently, the door will automatically open to the fullest. For details refer to section "PUSH CATCHES & MAGNETIC CATCHES".



DROP DOWN DRILLING PLANS WITH FLAP HINGE

COMPACT CONFIGURATOR:

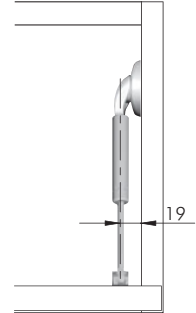
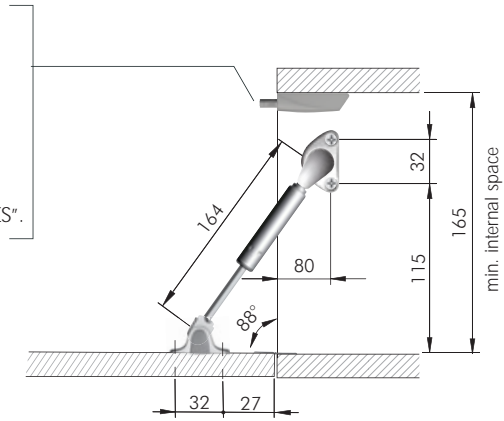


Magnet K Lock
visible or invisible



K Push Tech 20 mm
- With magnet
- Visible or invisible

For details refer to section
"PUSH CATCHES & MAGNETIC CATCHES".



L 244 mm

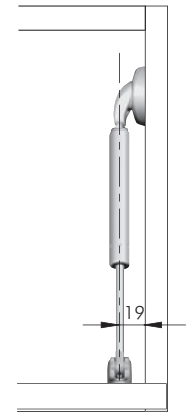
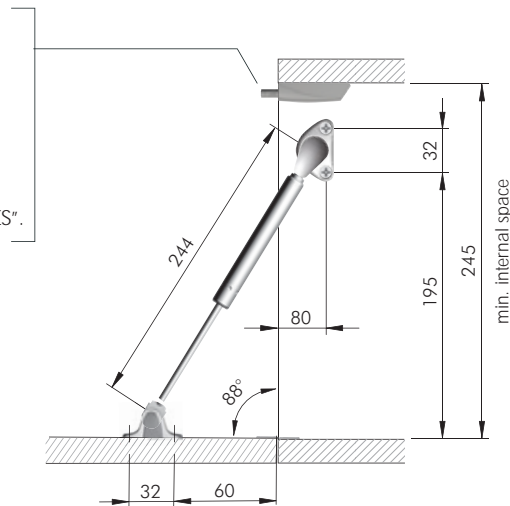


Magnet K Lock
visible or invisible



K Push Tech 20 mm
- With magnet
- Visible or invisible

For details refer to section
"PUSH CATCHES & MAGNETIC CATCHES".



L 355 mm

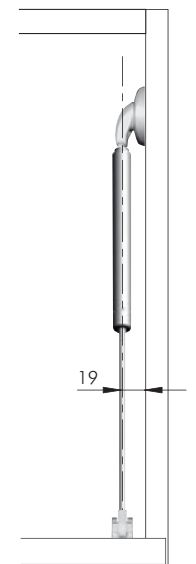
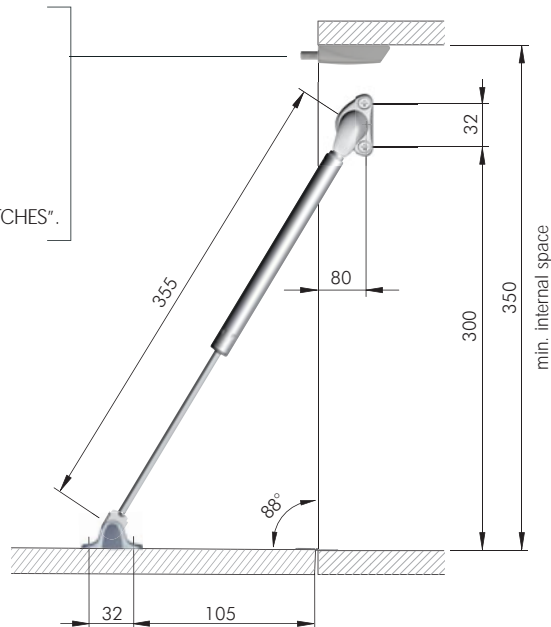


Magnet K Lock
visible or invisible

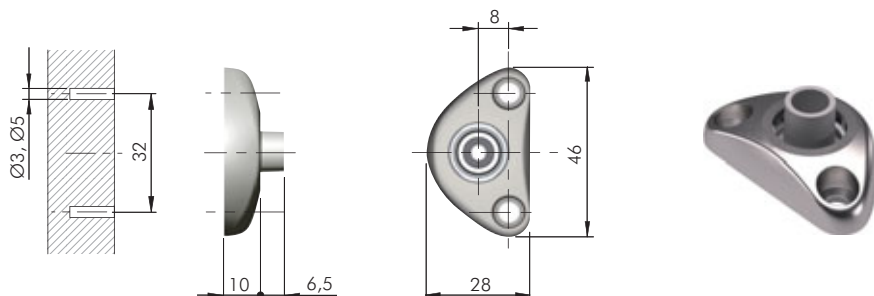


K Push Tech 20 mm
- With magnet
- Visible or invisible

For details refer to section
"PUSH CATCHES & MAGNETIC CATCHES".



COMPACT BRACKETS



= Ø 3, Ø 5 mm

ZA

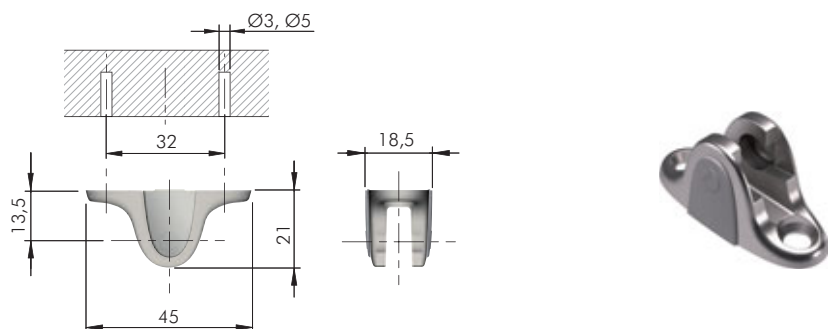
EP



= 100 pcs.



42911010YA



= Ø 3, Ø 5 mm

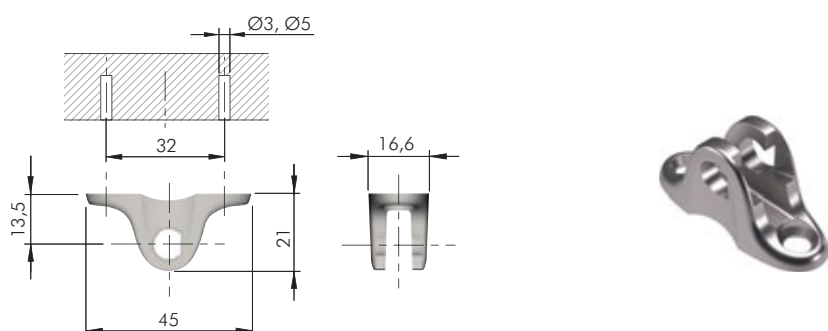
ZA



= 100 Stk.



4291802000



= Ø 3, Ø 5 mm

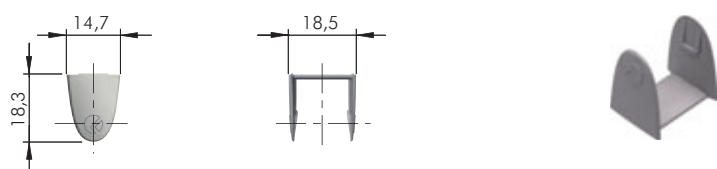
ZA



= 100 pcs.



42918010YC



EPg



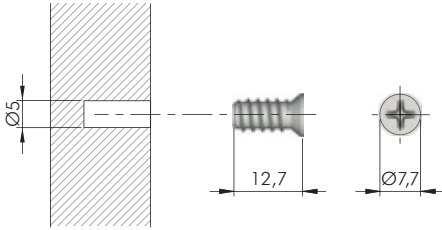
= 100 pcs.



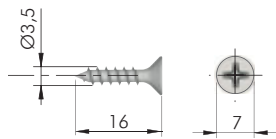
4291901000



COMPACT FIXING ACCESSORIES



	= Ø 5 mm		
			= PZ2
ST		= 5000 pcs.	
60501050YA			



	= Ø 2,5 mm		
			= PZ2
ST		= 10.000 pcs.	
60101390YA			

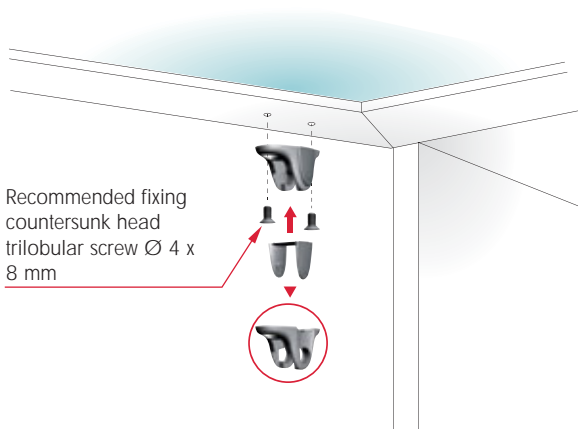
COMPACT ADAPTERS FOR ALUMINIUM FRAME DOOR



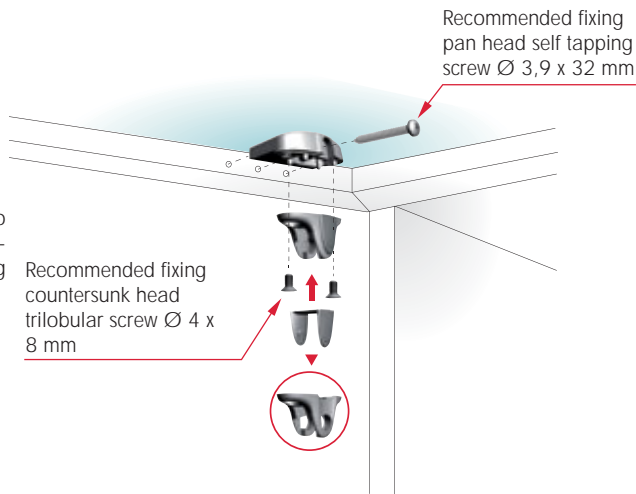
INSTALLATION ON WIDER ALUMINIUM FRAME DOOR



INSTALLATION ON NARROW ALUMINIUM FRAME DOOR

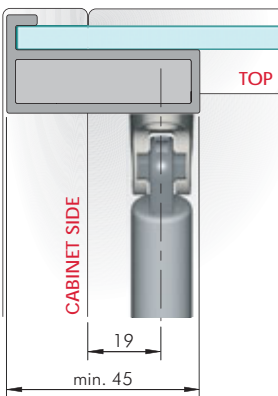


VERY IMPORTANT
The door bracket has to be placed in vertical position with the slot facing forwards.

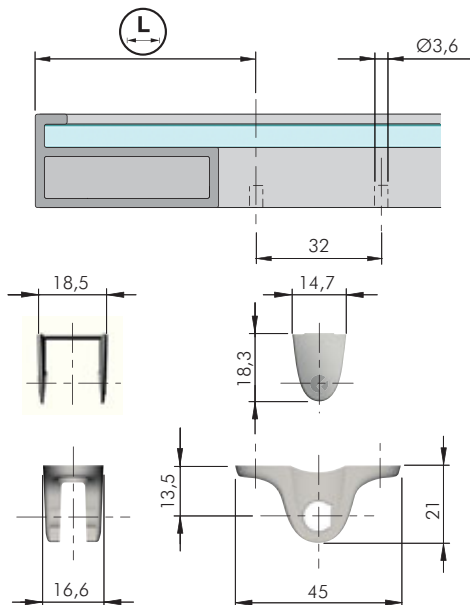


WIDER ALUMINIUM FRAME DOOR

Condition A



Assembling

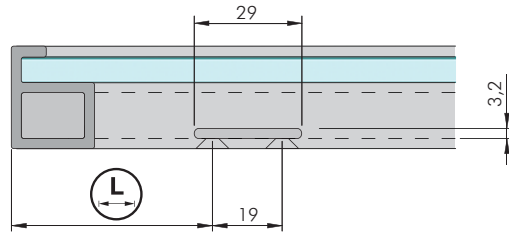
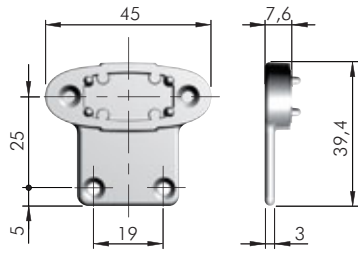
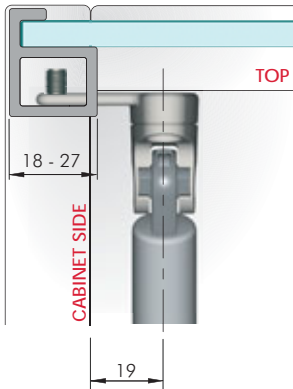


= Ø 3,6 mm
 = 100 pcs.
 123
42918010YC
4291901000



NARROW ALUMINIUM FRAME DOOR

Condition B



Assembling



ZA

= 100 pcs.



42903010YC



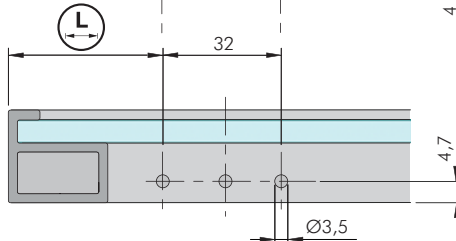
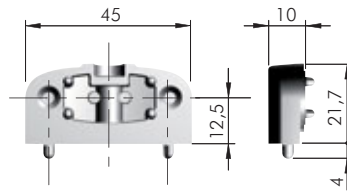
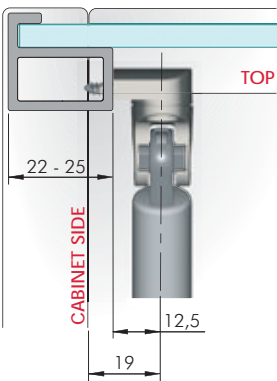
42918010YC



4291901000



Condition C



Assembling



= Ø 3,5 mm

ZA

= 100 pcs.



42904010YC



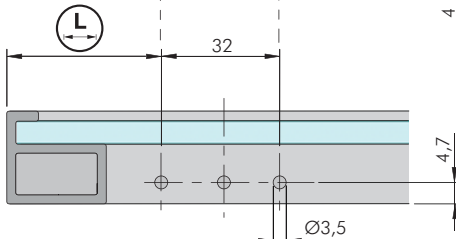
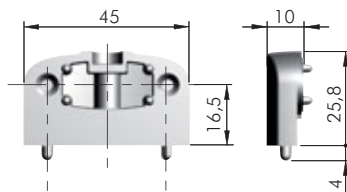
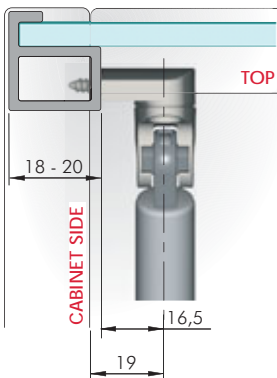
42918010YC



4291901000



Condition D



Assembling



= Ø 3,5 mm

ZA

= 100 pcs.



42905010YC

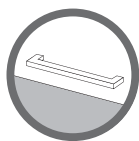


42918010YC



4291901000

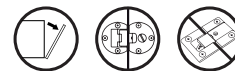
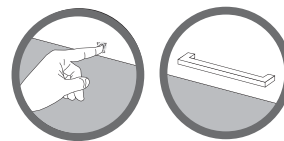




COMPACT	L	
164	31	37,5
244	68	74,5
355	119	125,5



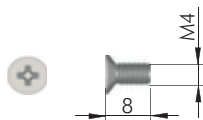
COMPACT	L	
164	25	31,5
244	55	61,5
355	105	111,5



COMPACT	L	
164	27	33,5
244	60	66,5
355	105	111,5

For details refer to related sections.

ALUMINIUM ADAPTERS FIXING ACCESSORIES



= PZ2

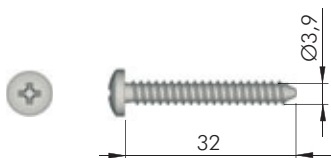
ST

= on request



42906010YA

For wider aluminium frame and for condition A, B, C, D.



= PZ2

ST

= on request



60203410YA

For condition C and D.



www.italianaferramenta.com